



**LUCCI
AIRFUSION TYPE A
DC CEILING FAN**

- **INSTALLATION**
- **OPERATION**
- **MAINTENANCE**
- **WARRANTY INFORMATION**

CAUTION
**READ INSTRUCTIONS CAREFULLY FOR SAFE
INSTALLATION AND FAN OPERATION.**

CONTENTS

GB Installation Instruction Manual 2

D Installationsanleitung11

F Guide d'installation.....20

E Manual de instrucciones de instalación.....29

I Manuale delle istruzioni di installazione.....38

NL Installatiehandleiding.....48



This fan is suitable for indoor use only.



THANKYOU FOR YOUR PURCHASE

Thankyou for purchasing the latest in energy saving ceiling fans. This fan runs on DC (direct current) power which gives it the benefit of being super energy efficient whilst still maintaining high volume air-movement and silent operation.

Energy saving - The DC motor is the latest technology in fan design. Its highly efficient motor saves up to 65% more energy than ceiling fans with traditional AC motors.

Silent operation – This DC fan motor is programmed with a stabilized current which efficiently reduces motor noise.

Low operating temperature – The DC power is managed effectively which brings down the motor operating temperature to less than 50degs. This results in a much cooler motor than a standard AC fan and increases the longevity of the motor.

12 speed remote control. Regular AC ceiling fans usually come with only 3 speeds, this DC fan comes complete with a 12 speed remote, which gives greater choice of comfort levels.

SAFETY PRECAUTIONS

- 1) Europe: This appliance can be used by children aged from 8 years and above and persons with reduced physical, sensory or mental capabilities or lack of experience and knowledge if they have been given supervision or instruction concerning use of the appliance in a safe way and understand the hazards involved. Cleaning and maintenance shall not be undertaken by children without supervision.
- 2) Australia: This appliance is not intended for use by young children or infirm persons unless they have been adequately supervised by a responsible person to ensure that they can use the appliance safely.
- 3) Children should be supervised to ensure that they do not play with the appliance.
- 4) An all-pole disconnection switch must be incorporated in the fixed wiring in accordance with the wiring rules.


IN AUSTRALIA:

WARNING: FOR SAFE USE OF THIS FAN - AN ALL-POLE DISCONNECTION MUST BE INCORPORATED INTO THE FIXED WIRING IN ACCORDANCE WITH THE WIRING RULES.

As outline in clause 7.12.2 of AS/NZS 60335-1 for meeting the minimum electrical safety of this standard. Please note warranty will be void if installation is without a means for an all-pole disconnection incorporated in the fixed wiring in accordance with the wiring rules.

Example: If a fan is connected to a circuit that can be isolated via an all-pole safety switch at the switchboard, then this is considered to be an all-pole disconnection to the ceiling fan electrical circuit, meeting the requirements of clause 7.12.2 of AS/NZS 60335.1.



- 5)  Do not dispose of electrical appliances as unsorted municipal waste, use separate collection facilities. Contact your local government for information regarding the collection systems available. If electrical appliances are disposed of in landfills or dumps, hazardous substances can leak into the groundwater and get into the food chain, damaging your health and well-being.
- 6) The structure to which the fan is to be mounted must be capable of supporting a weight of 40kg.
- 7) The fan should be mounted so that the blades are at least **2.3** metres above the floor for Europe.



Airfusion Type A Installation Instructions

- 8) The fan should be mounted so that the blades are at least **2.1** metres above the floor for Australia.
- 9) This fan is suitable for indoor use only. Mounting the fan in a situation where it is subject to water or moisture is dangerous.
- 10) Only an authorized electrician should execute the installation.

BEFORE INSTALLATION

Unpack your fan and check contents. You should have the following:

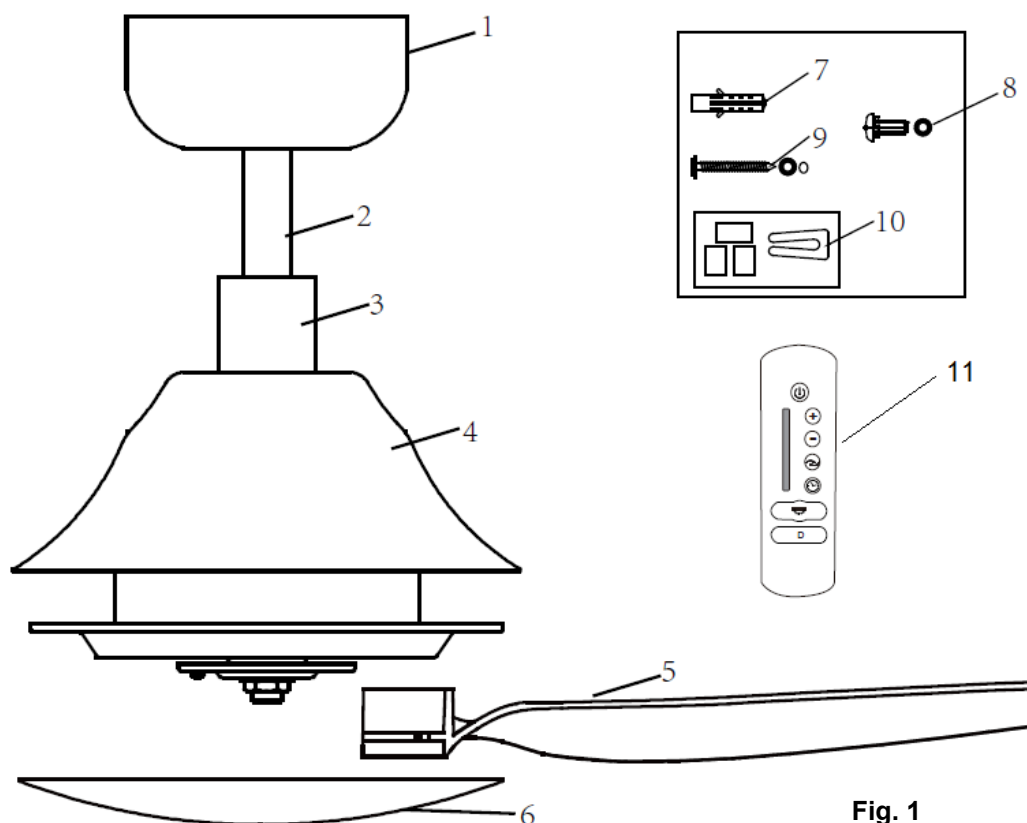


Fig. 1

- 1 Canopy x 1
- 2 Down rod x 1
- 3 Coupling cover x 1
- 4 Motor assembly x 1
- 5 Blades x 3
- 6 Bottom cover x 1
- 7 Plastic anchors x 2
- 8 Blades screws x10
- 9 Wood screws x 2
- 10 Balance kit x 1 set
- 11 Remote x 1 set



INSTALLING THE FAN

TOOLS REQUIRED:

- Phillips / flat head screwdriver
- Pair of pliers
- Adjustable spanner
- Step ladder
- Wire cutter
- Wiring, supply cable as required by local provincial and national wiring codes and regulations.

INSTALLING THE MOUNTING BRACKET

The ceiling fan must be installed in a location so that the blades are 300mm spacing from the tip of the blade to the nearest objects or walls.

Secure the hanging bracket to the ceiling joist or structure that is capable of carrying a load of at least 40kg, with two long screws provided. Ensure at least 30mm of the screw is threaded into the support.

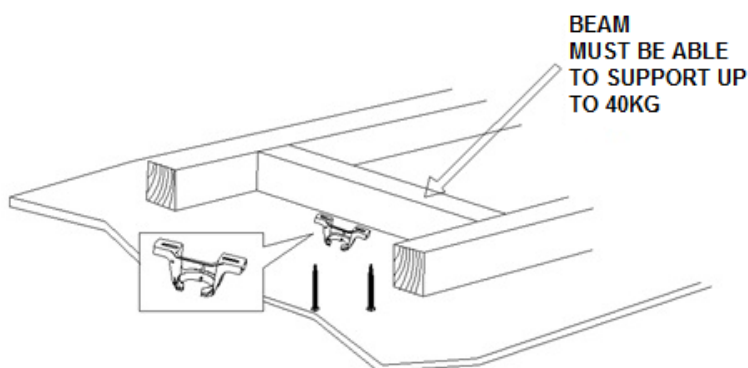


Fig. 2

NOTE: THIS PICTURE IS FOR REPRESENTATION ONLY AND DOES NOT REPRESENT THE ACTUAL BRACKET.

NOTE: The bracket screws provided are for use with wooden structures only. For structures other than wood, the appropriate screw type MUST be used.

ANGLED CEILING INSTALLATION

This fan hanging system supports a maximum 18 degree angled ceiling installation.

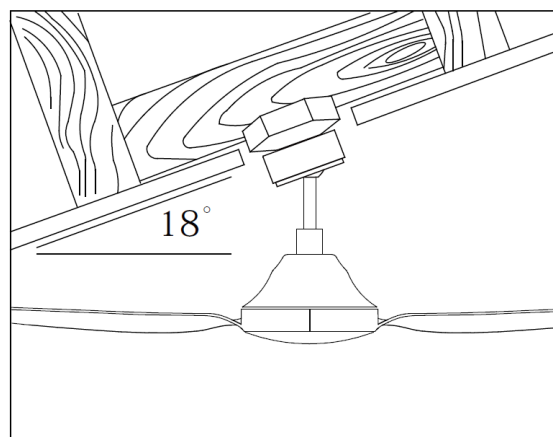


Fig. 3



Airfusion Type A Installation Instructions

HANGING THE FAN MOTOR ASSEMBLY

- Lift the fan assembly onto the mounting bracket. Fig. 4
- Ensure the notch of the ball joint is positioned on the stopper of the mounting bracket to prevent the fan from rotating when in operation. Fig. 5

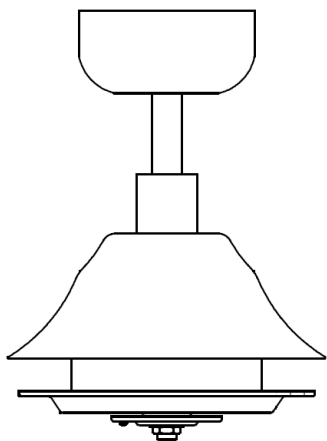


Fig. 4

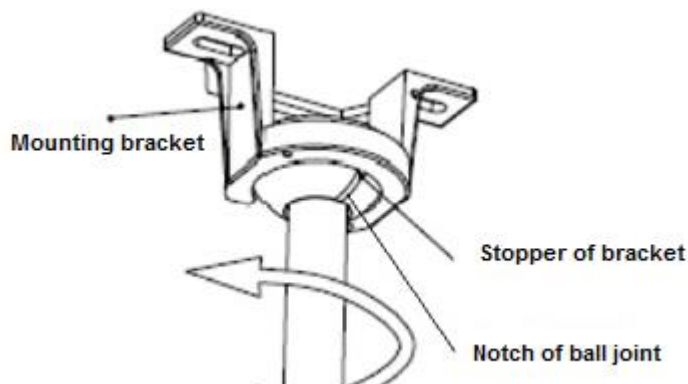


Fig. 5

PREPARE AND COMPLETE THE ELECTRICAL WIRING --- WIRING DIAGRAM (FIG. 6)

WARNING: FOR YOUR SAFETY ALL ELECTRICAL CONNECTIONS MUST BE UNDERTAKEN BY A LICENSED ELECTRICIAN.

NOTE: AN ADDITIONAL ALL POLE DISCONNECTION SWITCH MUST BE INCLUDED IN THE FIXED WIRING. PLEASE MAKE SURE THE MAIN SWITCH HAS BEEN TURNED OFF BEFORE CONNECTING.

NOTE: IF THERE ARE TWO OR MORE DC CEILING FANS INSTALLED IN THE ONE LOCATION, AN ISOLATION SWITCH IS REQUIRED FOR EACH CEILING FAN. THIS IS REQUIRED WHEN PROGRAMMING THE REMOTE AND RECEIVER TO PAIR TOGETHER.

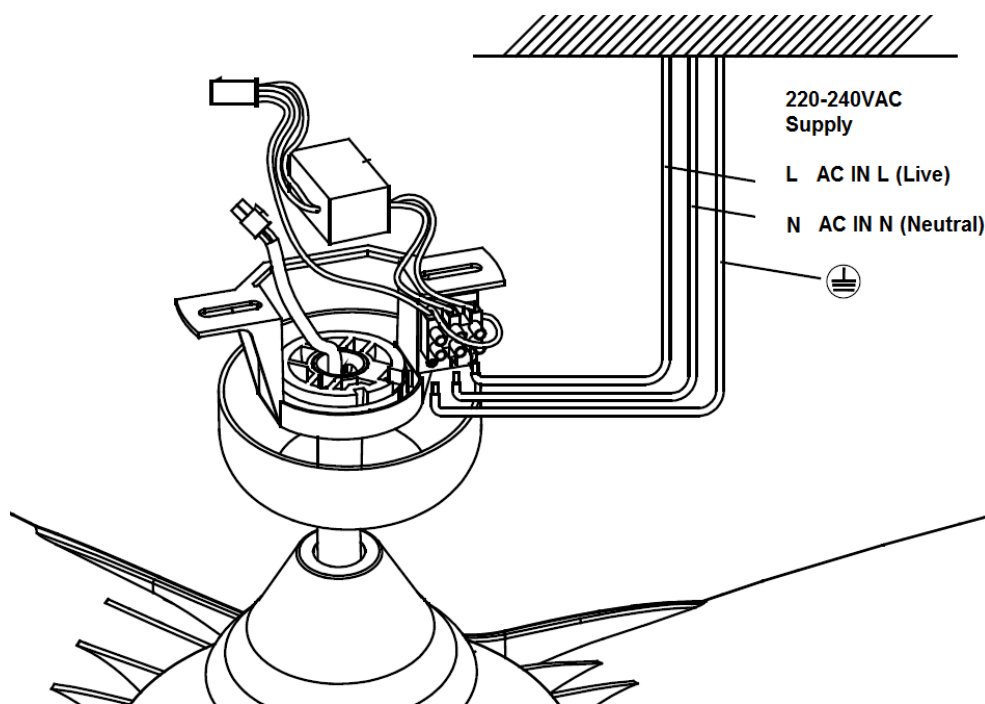


Fig. 6



Airfusion Type A Installation Instructions

INSTALL CANOPY

- Loosen the 2 screws from the bottom of the mounting bracket. Fig. 7
- Slide the canopy up to the mounting bracket and place the key hole on the canopy over the screw on the mounting bracket, turn the canopy until it locks in place at the narrow section of the key holes and secure it by tightening the two set screws. Avoid damaging the electrical wiring prepared previously.

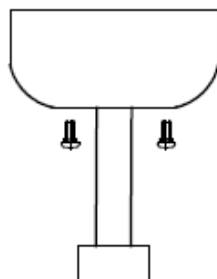


Fig. 7

BLADE INSTALLATION

- Insert the blade screws through the blade then secure the blade to the motor by tightening the 3 screws. Fig.8
- Repeat this process to install the other blades to the motor.
- Finally install the bottom cover to the shaft by rotating it clockwise. Fig. 9

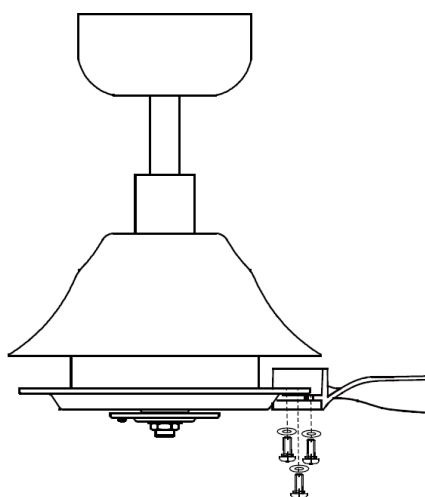


Fig. 8

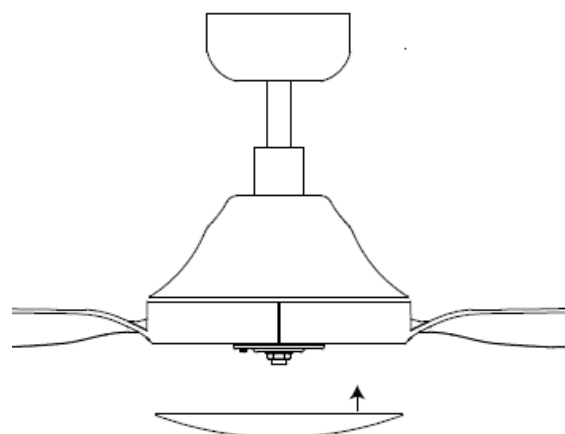


Fig. 9

USING YOUR CEILING FAN

Pairing Transmitter and Receiver – when 2 or more DC ceiling fans are installed in one location

When two or more fans are located near each other, you may want to have the receiver/transmitter for each fan set to a different code, so that the operation of one fan does not affect the operation of the other fan/s.


NOTE: Ensure power to the receiver is **ON** prior to pairing the transmitter with the receiver.

Transmitter/Receiver pairing for ceiling fan 1:


- Turn off both ceiling fans 1 and 2 via the mains supply to the receiver.
- Install the 2 x 1.5VDC batteries in the compartment. Please make sure the polarity of the battery is correct.



Airfusion Type A Installation Instructions

- Turn on the power to receiver 1. Keep the power OFF to receiver 2. (Each ceiling fan must have its own isolation switch, so that only the ceiling fan that needs to be paired with the transmitter will be ON).
- Press and hold the “” button on **transmitter 1** for 3 seconds within 60 seconds of switching the power to the receiver of ceiling fan 1.
- Turn ON and change the speed of the ceiling fan 1 by the transmitter to check the operation and successful pairing.

Setting DC Ceiling fan 2:

- Turn off both ceiling fans 1 and 2 via the mains supply to the receiver.
- Install the 2x1.5VDC batteries in the compartment. Please make sure the polarity of the battery is correct.
- Turn on the power to receiver 2. Keep the power OFF to receiver 1. (Each ceiling fan must have its own isolation switch, so that only the ceiling fan that needs to be paired with the transmitter will be ON).
- Press and hold the “” button on **transmitter 2** for 3 seconds within 60 seconds of switching the power to the receiver of ceiling fan 2.
- Turn ON and change the speed of ceiling fan 2 by the transmitter to check the operation and successful pairing.

Note: The pairing of transmitter and receiver is required if only one ceiling fan is installed. When more than two ceiling fans are installed near each other, please refer to the instruction above.

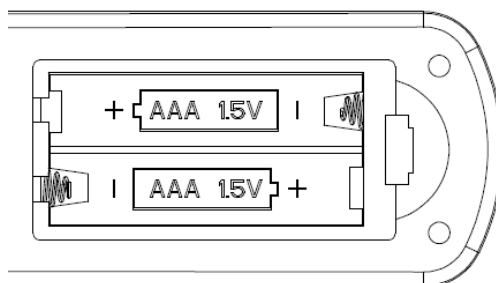



Fig. 10

Remote Control Buttons


 : FAN ON/OFF BUTTON (A):

- Press the button to turn the fan on/off.
- Press and hold the button for 3 seconds within 60 seconds of switching the power to the receiver for pairing the transmitter and receiver.

 : SPEED INCREASE BUTTON (B): Press the button to increase the fan speed. The LED indicator (D) will indicate the fan speed (1-12 speed) accordingly.





Airfusion Type A Installation Instructions


 : SPEED DECREASE BUTTON (C): Press the button to decrease the fan speed. The LED indicator (D) will indicate the fan speed (1-12 speed) accordingly.


 : LED INDICATOR (D):


- Indicates the fan current fan speed level (1-12 speed).
- Indicates the current timer setting time (1 hour, 2 hours, 4 hours, 8 hours).

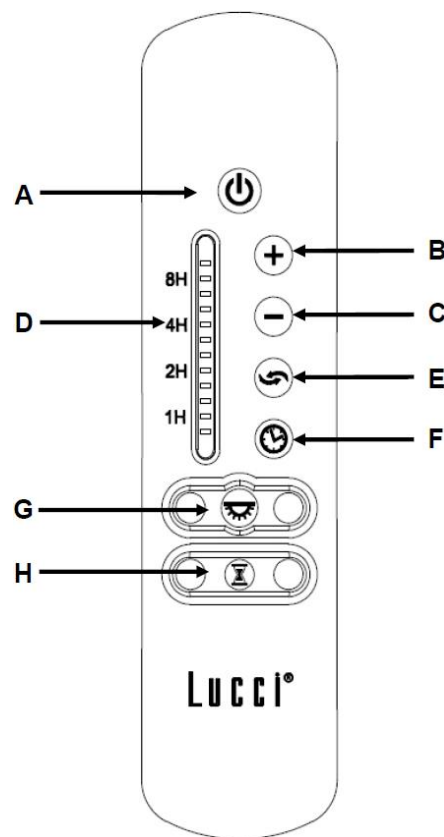
 : REVERSE FUNCTION BUTTON (E): Press the button to activate the reverse running function. The fan must be operating to activate the reverse function.

NOTE: When the fan can NOT detect the rotary redirection it will stop, just press the “” button two times to activate the fan again.

 : FAN TIMER BUTTON (F): Press the button to start programming the timer to switch the fan off automatically, or to cancel the timer. Press the button to set timer at 1h → 2h → 4h → 8h → Timer OFF. The LED indicator (D) will indicate the fan timer (1H, 2H, 4H, and 8H) accordingly.

 : LIGHT CONTROL BUTTON (G): Press the button to turn on/off the light.

 : LIGHT DELAY BUTTON (H): Press the button to activate the light delay function, which will turn off the light 3 minutes later.



REPAIRING THE FAN RECEIVER & REMOTE

Should the remote and receiver lose control after installation or during use, the pairing of the remote and the receiver must be repaired. Below are the operating symptoms and method to repair the pairing of the DC ceiling fan remote and receiver.


Issues:

- Loss of control - Fan is only running at high speed after installation
- Loss of control - No reverse function after installation
- Loss of control - Remote cannot communicate with the receiver



Airfusion Type A Installation Instructions

Solution:

- Switch off the main power to ceiling fan.
- Press and hold the  button on **transmitter** for 3 seconds within 60 seconds of switching the power to the receiver of the ceiling fan.
- Turn ON and change the speed of the ceiling fan by the transmitter to check the operation and successful pairing.

AFTER INSTALLATION

WOBBLE:

Note: Ceiling fans tend to move during operation due to the fact that they are mounted on a rubber grommet. If the fan was mounted rigidly to the ceiling it would cause excessive vibration. Movement of a few centimeters is quite acceptable and does not suggest any problem.

TO REDUCE THE FAN WOBBLE: Please check that all screws which fix the mounting bracket and down rod are secure.

BALANCING KIT: A balancing kit is provided to balance the ceiling fan on initial installation. Please refer to the instruction on how to use the balancing kit. The balancing kit can be used to assist re-balancing should the ceiling fan become un-balanced again. Store your balancing kit away after installation for future use if required.

NOISE:

When it is quiet (especially at night) you may hear occasional small noises. Slight power fluctuations and frequency signals superimposed in the electricity for off-peak hot water control, may cause a change in fan motor noise.

This is normal. Please allow a 24-hour “settling-in” period, most noises associated with a new fan disappear during this time.

The manufacturer’s warranty covers actual faults that may develop and NOT minor complaints such as hearing the motor run – all electric motors are audible to some extent.

CARE & CLEANING

- Periodic cleaning of your ceiling fan is the only maintenance required. Use a soft brush or lint free cloth to avoid scratching the paint finish. Please turn off electricity power when you do so.
- Do not use water when cleaning your ceiling fan. It could damage the motor or the blades and create the possibility of an electrical shock.
- The motor has a permanently lubricated ball bearing. There is no need to oil.

NOTE: Always turn off the power at the mains switch before attempting to clean your fan.

TECHNICAL INFORMATION

AIRFUSION SERIES TYPE A DC FAN models	Rated Voltage	Rated power (motor)	Battery for remote
60" blade fan only	220-240VAC	35W	2 x 1.5Vdc AAA



WARRANTY INFORMATION

IN AUSTRALIA / NEW ZEALAND – Please refer to the separate WARRANTY STATEMENT.

IN EUROPE – If you are a European customer please contact the retail outlet where the fan was purchased for warranty service.



This fan is suitable for indoor use only.

D

HERZLICHEN GLÜCKWUNSCH ZUM ERWERB UNSERES DECKENVENTILATORS

Wir beglückwünschen Sie zum Kauf des derzeit modernsten und energieeffizientesten Deckenventilators. Dieser wird durch Gleichstrom betrieben, wodurch er Energie spart und gleichzeitig einen hohen Grad an Ventilation bietet sowie geräuschlos arbeitet.

Energieeinsparung: Der Gleichstrommotor ist die neueste Ventilatorentechnologie und hocheffizient. Durch ihn sparen Sie bis zu 65% mehr Energie als mit herkömmlichen Gleichstrommotoren für Deckenventilatoren.

Geräuschloser Betrieb: Dieser Gleichstrommotor wird mit einer stabilisierten Gleichspannung versorgt, wodurch das Motorengeräusch effektiv reduziert wird.


Niedrige Betriebstemperatur: Durch die effektive Handhabung des Gleichstroms kann die Betriebstemperatur des Motors auf unter 50 Grad gebracht werden.

Fernbedienung mit 12 Ventilatorgeschwindigkeiten: Herkömmliche Deckenventilatoren bieten nur 3 Geschwindigkeitslevel an. Unser Gleichstromventilator hingegen bietet 12 über eine Fernbedienung einstellbare Geschwindigkeitslevel und damit eine größere Auswahl und mehr Komfort für Sie.

SICHERHEITSHINWEISE

- 1) Europa: Dieses Gerät darf nur von Kindern in einem Alter von 8 Jahren und darüber sowie von Personen mit eingeschränkten körperlichen, geistigen oder sensorialen Fähigkeiten oder mangelnder Erfahrung und Wissen nur unter Aufsicht verwendet werden, oder nachdem diese Anweisungen über die sichere Verwendung des Gerätes erhalten haben und die Risiken verstehen. Das Säubern und die Instandhaltung darf von Kindern nur unter Aufsicht vorgenommen werden.
- 2) Australia: This appliance is not intended for use by young children or infirm persons unless they have been adequately supervised by a responsible person to ensure that they can use the appliance safely.
- 3) Kinder müssen beaufsichtigt werden, um sicher zu gehen, dass sie nicht mit dem Gerät spielen.
- 4) Eine allpolige Abschaltung muss gemäß den Verkabelungsvorgaben in die feste Verkabelung integriert sein.



- 5)  Entsorgen Sie elektrische Geräte nicht als unsortierten Restmüll, sondern nutzen Sie separate Sammelvorrichtungen. Erkundigen Sie sich bei Ihrer Gemeindeverwaltung über mögliche verfügbare Sammelsysteme. Wenn elektrische Geräte auf Mülldeponien entsorgt werden, besteht die Gefahr, dass Gefahrstoffe in das Grundwasser und somit in Nahrungskette entweichen, was Ihrer Gesundheit und Ihrem Wohlbefinden schaden kann.
- 6) Die Vorrichtung, an welcher der Ventilator angebracht wird, sollte mindestens 40kg Gewicht tragen können.
- 7) Für Europa: Der Ventilator sollte so angebracht sein, dass seine Rotorblätter mindestens **2,3** Meter vom Fußboden entfernt sind.
- 8) Für Australien: Der Ventilator sollte so angebracht sein, dass seine Rotorblätter mindestens **2,1** Meter vom Fußboden entfernt sind.
- 9) Dieser Ventilator ist nur zum Gebrauch in Innenräumen vorgesehen. Das Anbringen des Ventilators an Orten, an denen er Wasser oder Feuchtigkeit ausgesetzt ist, ist gefährlich.
- 10) Nur konzessionierte Elektriker dürfen die Installation durchführen.



VOR DER INSTALLATION

Entnehmen Sie den Ventilator aus der Verpackung und überprüfen Sie, ob alle Bestandteile vorhanden sind. Diese sollten Folgendes beinhalten:

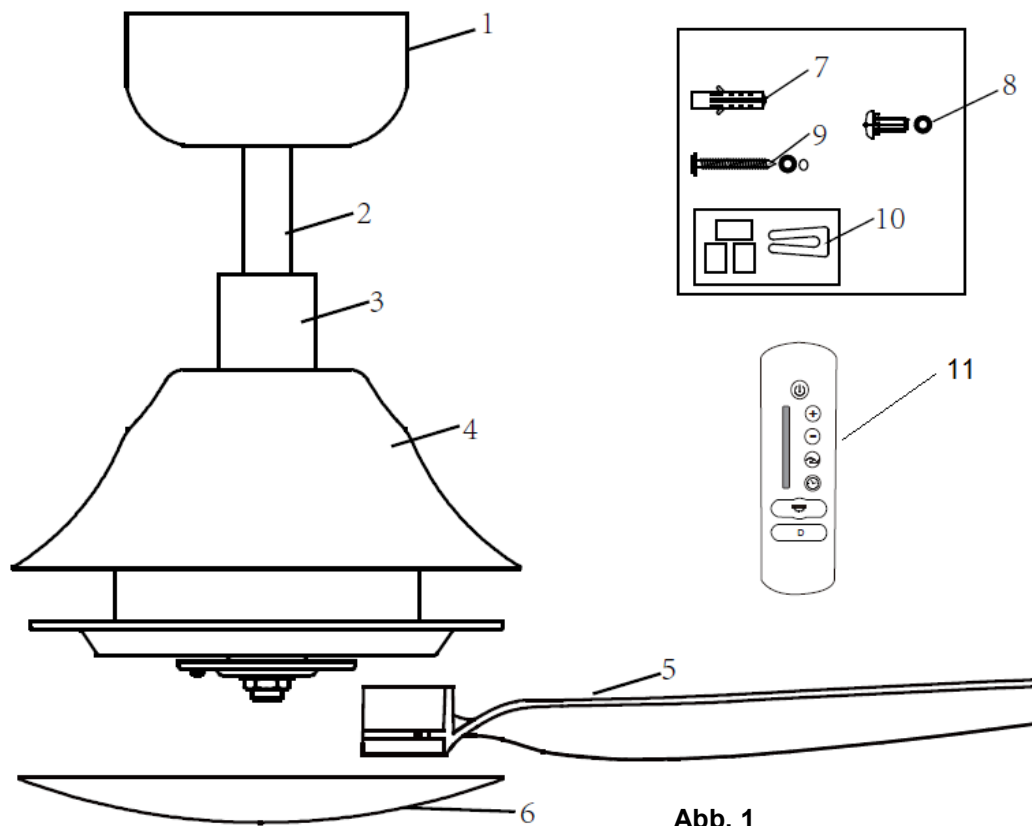


Abb. 1

- 1 Baldachin x 1
- 2 Stange x 1
- 3 Kupplungsabdeckung x 1
- 4 Motorbaugruppe x 1
- 5 Flügel x 3
- 6 Untere Abdeckung x 1
- 7 Kunststoffanker x 2
- 8 Schrauben zur Flügelbefestigung x10
- 9 Holzschrauben x 2
- 10 Auswucht-Kit x 1 Satz
- 11 Fernbedienung x 1 Satz



INSTALLATION DES VENTILATORS

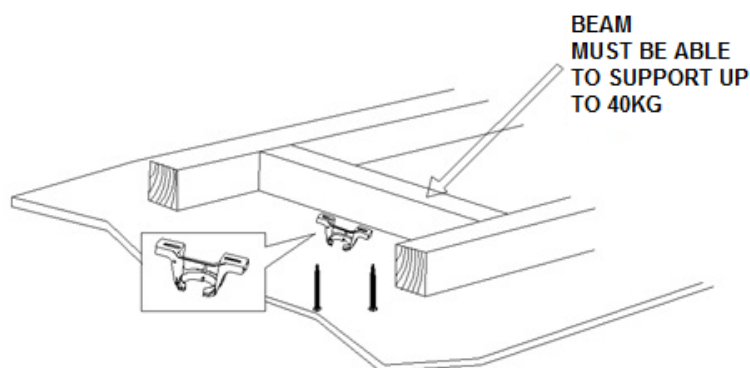
BENÖTIGTE WERKZEUGE:

- Schlitzschraubendreher von Phillips
- Zange
- Universalschraubenschlüssel
- Stufenleiter
- Drahtzange
- Verkabelung und Versorgungskabel nach den jeweiligen lokalen und nationalen Verdrahtungsvorgaben

INSTALLATION DER HALTERUNG

Der Deckenventilator muss so angebracht sein, dass zwischen der Spitze eines jeden Rotorenblattes und der Wand oder dem nächstgelegenen Objekt ein Abstand von mindestens 300mm besteht.

Bringen Sie den Decken-Befestigungswinkel mit den zwei langen beigelegten Schrauben am Deckenbalken oder einer alternativen Deckenvorrichtung, die mindestens 40kg tragen kann, an. Achten Sie darauf, dass die Schrauben mindestens 30mm in die Halterung hineingedreht werden.



NOTE: THIS PICTURE IS FOR REPRESENTATION ONLY AND DOES NOT REPRESENT THE ACTUAL BRACKET.

Abb. 2

BITTE BEACHTEN SIE: Die beigelegten Halterungsschrauben sind nur zur Verwendung an Holzstrukturen geeignet. Für andere Strukturen MUSS die geeignete Schraubenart verwendet werden.

INSTALLATION AN WINKELFLÄCHEN

Das Aufhängesystem des Ventilators unterstützt eine Installation an Deckenwinkelflächen von maximal 18 Grad Neigung.

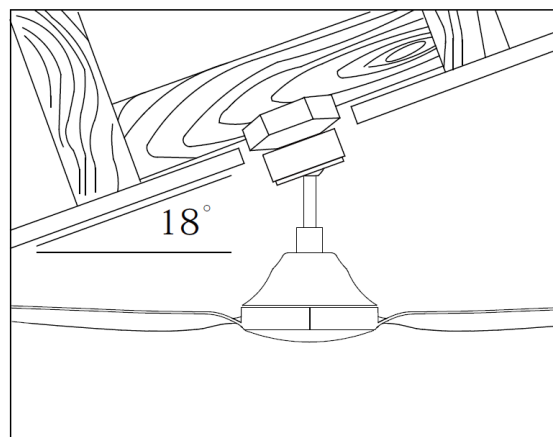


Abb. 3



INSTALLATION DES VENTILATEURMOTORS

- Befestigen Sie das Ventilatorenaggregat an der Halterung. Abb. 4
- Stellen Sie sicher, dass die Aussparung des Kugelgelenks am Verschluss der Halterung angebracht ist, damit der Ventilator, sobald er in Betrieb ist, nicht rotiert. Abb. 5

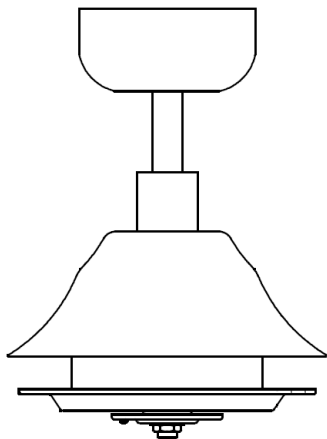


Abb. 4

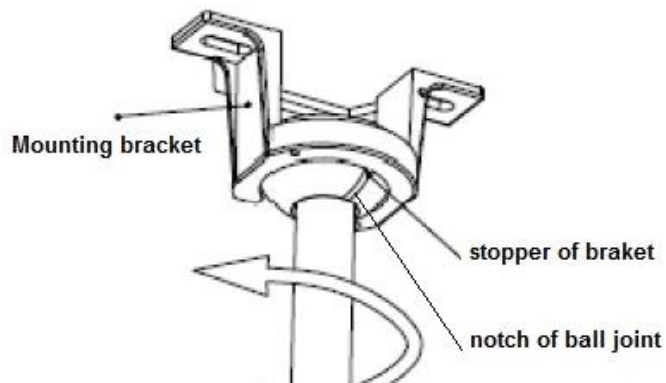


Abb. 5

DIE INSTALLATION DER ELEKTRISCHEN LEITUNGEN VORBEREITEN UND DURCHFÜHREN – SCHALTPLAN (ABB. 6)

WARNUNG: ALLE ELEKTRISCHEN ANSCHLÜSSE DÜRFEN ZU IHRER EIGENEN SICHERHEIT NUR DURCH EINEN KONZESSIONIERTEN ELEKTRIKER VORGENOMMEN WERDEN.

BITTE BEACHTEN SIE: IN DIE FESTE VERLEGUNG DER KABEL MUSS ZUSÄTZLICH EINE ALLPOLIGE ABSCHALTUNG INTEGRIERT SEIN. BITTE SCHALTEN SIE DEN HAUPTSCHALTER VOR INSTALLATION DER ELEKTRISCHEN LEITUNGEN AUS.

BITTE BEACHTEN SIE: WENN ZWEI ODER MEHR GLEICHSTROM-DECKENVENTILATOREN IN UNMITTELBARER NÄHE ZUEINANDER ANGEBRACHT SIND, MUSS FÜR JEDEN DECKENVENTILATOR EIN ISOLATIONSSCHALTER INSTALLIERT SEIN. DIES IST NÖTIG, WENN DIE SENDEVORRICHTUNG UND DAS EMPFÄNGERGERÄT MITEINANDER VERBUNDEN WERDEN.

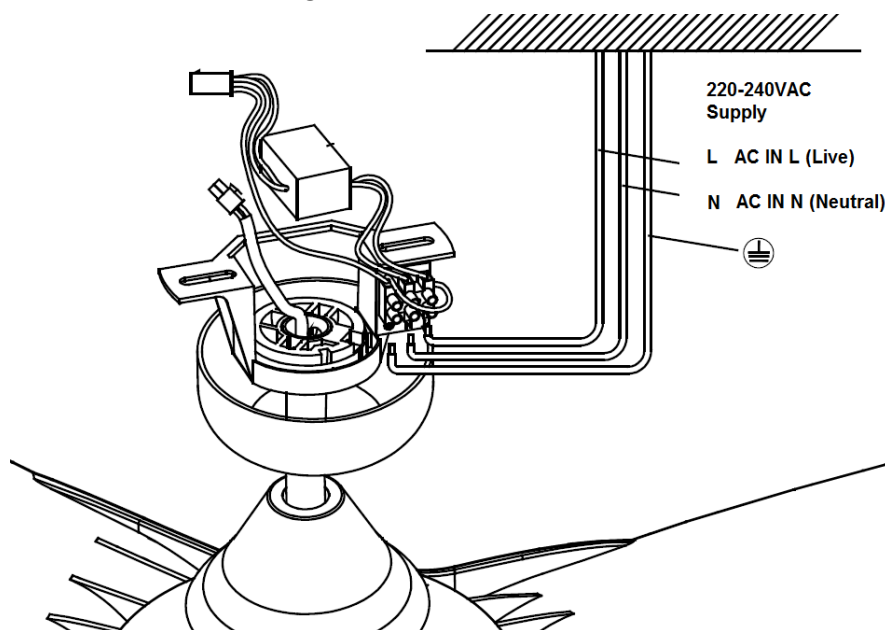


Abb. 6



INSTALLATION DER ABDECKUNG

- Lösen Sie die 2 Schrauben vom unteren Teil der Halterung. Abb. 7
- Schieben Sie die Abdeckung bis zur Halterung hoch und platzieren Sie das Schlüsselloch der Abdeckung auf der Halterung und über den Schrauben. Drehen Sie die Abdeckung bis diese im schmalen Abschnitt des Schlüsselloches einrastet und fixieren Sie diese durch das Festdrehen der beiden Schrauben. Vermeiden Sie dabei die Beschädigung der zuvor installierten Verkabelung.

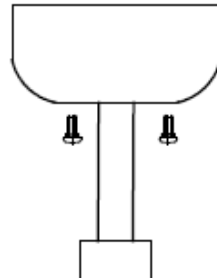


Abb. 7

INSTALLATION DES BELEUCHTUNGSSATZES

- Führen Sie die Schrauben durch die Rotorenblatthalterungen und Rotorenblätter hindurch und befestigen Sie die Rotorenblätter dann durch das Festziehen der 3 Schrauben am Motor. Abb. 8
- Wiederholen Sie diesen Vorgang, bis alle Rotorenblätter am Motor angebracht sind.
- Befestigen Sie abschließend die Abdeckung für die Unterseite durch das Drehen im Uhrzeigersinn am Gehäuse des Beleuchtungssatzes. Abb. 9

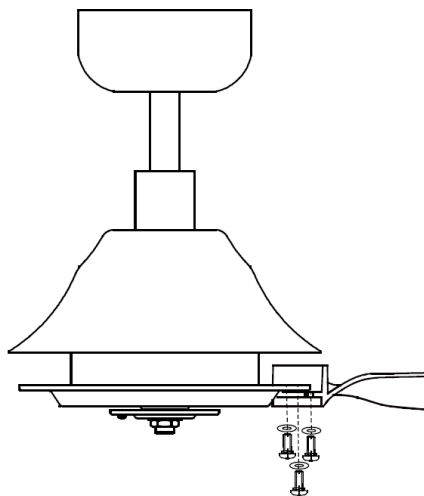


Abb. 8

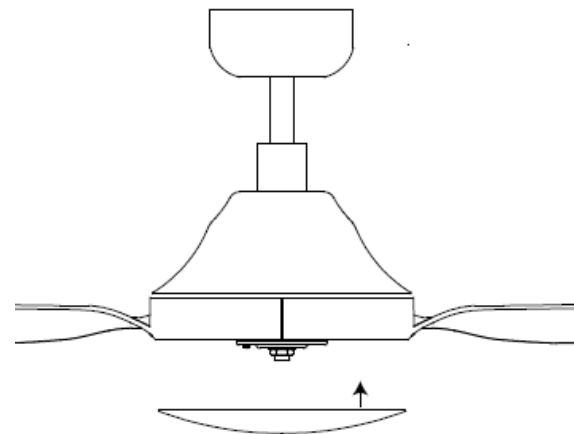


Abb. 9

DIE NUTZUNG IHRES DECKENVENTILATORS

Sender und Empfänger aufeinander einstellen – falls zwei oder mehr Gleichstrom-Deckenventilatoren an einem Ort montiert sind

Wenn zwei oder mehr Ventilatoren nahe beieinander angebracht sind, sollten der Empfänger/Sender jedes Ventilators jeweils auf einen unterschiedlichen Code eingestellt sein. Andernfalls kann es passieren, dass es während des Betriebs der Ventilatoren zu gegenseitigen Störungen kommt.



HINWEIS: Stellen Sie sicher, dass der Netzschalter des Empfängers auf **EIN** gestellt ist, bevor Sie dem Empfänger einen Sender zuweisen.

Zuweisung Sender/Empfänger für Ventilator 1:

- Die beiden Ventilatoren 1 und 2 über den Hauptschalter der Stromversorgung vom Empfänger trennen.
- Die beiden 1.5VDC Batterien in das Fach einlegen. Dabei auf richtige Polarität der Batterien achten.
- Strom von Empfänger 1 einschalten. Empfänger 2 AUSgeschaltet lassen. (Jeder Deckenventilator muss mit einem separaten Trennschalter ausgestattet sein, sodass nur der Deckenventilator, der dem Sender zugeordnet werden soll, EINGeschaltet ist.
- Drücken Sie innerhalb von 60 Sekunden nach Einschalten des Stroms von Deckenventilator 1 die "⏻" Taste von **Sender 1** und halten Sie diese drei Sekunden lang gedrückt.
- EIN betätigen und die Geschwindigkeit von Deckenventilator 1 mithilfe des Senders verändern, um zu prüfen, ob er funktioniert und Sender und Empfänger miteinander kommunizieren.

Gleichstrom-Deckenventilator 2 einstellen:

- Die beiden Deckenventilatoren 1 und 2 über den Hauptschalter der Stromversorgung vom Empfänger trennen.
- Die beiden 1.5VDC Batterien in das Fach einlegen. Dabei auf richtige Polarität der Batterien achten.
- Strom von Empfänger 2 einschalten. Empfänger 1 AUSgeschaltet lassen. (Jeder Deckenventilator muss mit einem separaten Trennschalter ausgestattet sein, sodass nur der Deckenventilator, der dem Sender zugeordnet werden soll, EINGeschaltet ist.
- Drücken Sie innerhalb von 60 Sekunden nach Einschalten des Stroms von Deckenventilator 2 die "⏻" Taste von **Sender 2** und halten Sie diese drei Sekunden lang gedrückt.
- EIN betätigen und die Geschwindigkeit von Deckenventilator 2 mithilfe des Senders verändern, um zu prüfen, ob er funktioniert und Sender und Empfänger miteinander kommunizieren.

Hinweis: Die Abstimmung des Senders auf den Empfänger ist notwendig, wenn nur ein Deckenventilator montiert ist. Wenn zwei oder mehr Deckenventilatoren nahe beieinander montiert sind, verfahren Sie gemäß der vorstehenden Anweisungen.

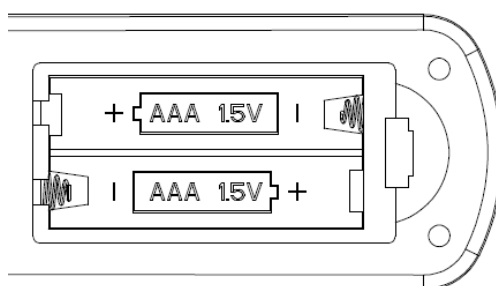



Fig. 10


Tasten der Fernbedienung



 : TASTE VENTILATOR EIN/AUS (A):


- Diese Taste drücken, um den Ventilator ein/aus zu schalten.
- Drücken Sie innerhalb von 60 Sekunden nach Einschalten des Stroms des Empfängers die Taste und halten Sie diese drei Sekunden lang gedrückt, um Sender und Empfänger aufeinander abzustimmen.

 : TASTE GESCHWINDIGKEIT ERHÖHEN (B): Drücken Sie die Taste, um die Geschwindigkeit des Ventilators zu erhöhen. Die LED-Anzeige (D) zeigt die gewählte Geschwindigkeit an (Stufe 1-12).


 : TASTE GESCHWINDIGKEIT REDUZIEREN (C): Drücken Sie die Taste, um die Geschwindigkeit des Ventilators zu reduzieren. Die LED-Anzeige (D) zeigt die gewählte Geschwindigkeit an (Stufe 1-12).


 : LED-ANZEIGE (D):


- Zeigt die aktuelle Geschwindigkeitsstufe des Ventilators an (Stufe 1-12).
- Zeigt die aktuell eingestellte Zeit des Timers an (1 Stunde, 2 Stunden, 4 Stunden, 8 Stunden).

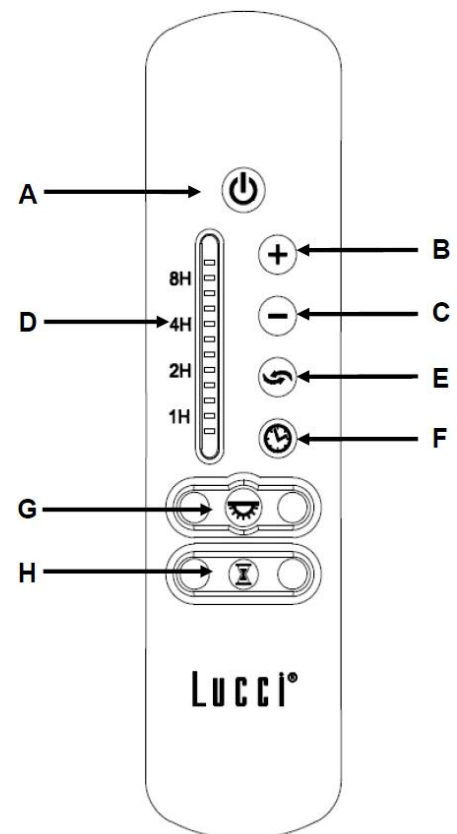
 : TASTE RÜCKWÄRTSFUNKTION (E): Drücken Sie die Taste, um die Rückwärtsfunktion zu aktivieren. Der Ventilator muss in Betrieb sein, um die Rückwärtsfunktion aktivieren zu können.

Hinweis: Wenn der Ventilator den Drehrichtungsänderung nicht erkennen kann hält er an. Drücken Sie zweimal den "⏻" Knopf um den Ventilator neu zu aktivieren.

 : TASTE VENTILATOR-TIMER (F): Diese Taste drücken, um die Programmierung des Timers zum automatischen Abschalten des Ventilators vorzunehmen oder die Timereinstellung zu löschen. Drücken Sie die Taste, um den Timer auf 1h → 2h → 4h → 8h → Timer AUS zu stellen. Die LED-Anzeige (D) zeigt die programmierte Einstellung des Timers an (1H, 2H, 4H und 8H).

 : TASTE LICHTSTEUERUNG (G): Drücken Sie diese Taste, um das Licht ein- oder auszuschalten.

 : VERZÖGERUNGSTASTE (H): Drücken Sie diese Taste, um die Verzögerungsfunktion zu aktivieren, durch die der Ventilator drei Minuten später ausgeschaltet wird.



WIEDERHERSTELLUNG DER BINDUNG ZWISCHEN EMPFÄNGER & FERNBEDIENUNG

Falls die Fernbedienung und der Empfänger nach erfolgter Installation oder während des Betriebs ihre Bindung verlieren, muss die Bindung zwischen Fernbedienung und Empfänger wiederhergestellt werden. Nachfolgend finden Sie eine Erläuterung der Symptome sowie Hinweise zur Wiederherstellung der Bindung zwischen der Fernbedienung des Gleichstrom-Deckenventilators und dem Empfänger.

Problem:

- Keine Steuerung möglich – Der Ventilator läuft nach erfolgter Installation auf höchster Geschwindigkeit
- Keine Steuerung möglich – Nach der Installation funktioniert die Rückwärtsfunktion nicht
- Keine Steuerung möglich – Die Fernbedienung kommuniziert nicht mit dem Empfänger

Lösung:

- Hauptschalter des Ventilators ausschalten.
- Drücken Sie innerhalb von 60 Sekunden nach Einschalten des Stroms des Empfängers des Deckenventilators die "⏻" Taste des **Senders** und halten Sie diese drei Sekunden lang gedrückt.
- EIN betätigen und die Geschwindigkeit des Deckenventilators mithilfe des Senders verändern, um zu prüfen, ob er funktioniert und Sender und Empfänger erfolgreich miteinander kommunizieren.

NACH DER INSTALLATION

AUSSCHWENKEN:

Bitte beachten Sie: Da der Deckenventilator auf einer Gummitülle befestigt ist, kann es während des Betriebs zu Ausschwenkungen kommen. Wäre der Ventilator jedoch zu fest an der Decke angebracht, würde es zu übermäßigen Vibrationen führen. Das Ausschwenken des Ventilators um wenige Zentimeter stellt kein Problem dar.

VERRINGERUNG DES AUSSCHWENKENS: Bitte stellen Sie sicher, dass alle die Halterung und die Panelstange fixierenden Schrauben festgezogen sind.

BAUSATZ ZUM AUSWUCHTEN DES VENTILATORS: Dieser wird verwendet, um den Ventilator bei der Erstinstallation auszuwuchten. Um mehr über seine Verwendung zu erfahren, befolgen Sie bitte die Anweisungen. Der Bausatz kann ebenfalls zur erneuten Auswuchtung des Ventilators verwendet werden. Bewahren Sie den Bausatz zum Auswuchten des Ventilators zum zukünftigen Gebrauch auf.

GERÄUSCHE:

Sie können gelegentlich Geräusche wahrnehmen, sobald es in Ihrer Umgebung ruhig ist (besonders nachts). Geringfügige Leistungsschwankungen im Stromnetz sowie den Strom überlagernde Frequenzsignale zur Warmwassersteuerung außerhalb der Stoßzeiten können die Geräusche des Ventilatormotors beeinflussen. Dies ist normal. Bitte kalkulieren Sie eine 24-stündige Anpassungsphase ein, während der die meisten auf den Ventilator zurückzuführenden Geräusche verschwinden.

Die Gewährleistung des Originalherstellers deckt tatsächliche auftretende Fehler ab und KEINE unwesentlichen



Beanstandungen wie z. B. Motorengeräusche. Alle elektronischen Motoren sind bis zu einem gewissen Grad hörbar.

REINIGUNG UND PFLEGE

- Die einzige erforderliche Wartung ist die regelmäßige Reinigung Ihres Ventilators. Verwenden Sie dafür eine weiche Bürste oder einen fusselfreien Lappen, um ein Verkratzen der Lackierung zu vermeiden.
- Verwenden Sie zur Reinigung des Ventilators kein Wasser, da dieses den Motor oder die Rotorenblätter zerstören sowie zu einem elektrischen Schlag führen kann.
- Der Motor ist mit einem dauergeschmierten Kugellager ausgestattet und muss daher nicht geölt werden.

BITTE BEACHTEN SIE: Schalten Sie vor der Reinigung des Ventilators den Strom über den Netzschalter ab.

TECHNISCHE INFORMATIONEN

AIRFUSION TYPE A SERIES Gleichstrom- Ventilatoren- Modelle	Nennspannung	Nennleistung (Motor)	Batterie für die Fernbedienung
60" Ventilatorflügel	220-240VAC	35W	2 x 1.5Vdc AAA

INFORMATIONEN ZUR GEWÄHRLEISTUNG

FÜR AUSTRALIEN/NEUSEELAND: Es gilt eine andere GARANTIEERKLÄRUNG.

FÜR EUROPA: Europäische Kunden wenden sich für die Garantieerklärung bitte an die Verkaufsstelle, in welcher der Ventilator erworben wurde.





FÉLICITATIONS POUR VOTRE ACHAT

Félicitations pour l'achat du plus récent des ventilateurs de plafond à économie d'énergie. Ce ventilateur fonctionne par CC (alimentation en courant continu) qui lui donne l'avantage d'être super-économe en énergie tout en conservant un volume élevé de circulation d'air et un fonctionnement silencieux.

L'économie d'énergie - Le moteur à courant continu est la plus récente technologie en termes de conception de ventilateur. Son moteur très efficace permet d'économiser jusqu'à 65% d'énergie en plus comparé aux ventilateurs de plafond avec des moteurs traditionnels à courant alternatif.

Un fonctionnement silencieux - ce moteur de ventilateur CC est programmé avec un courant stabilisé ce qui réduit efficacement le bruit du moteur.


Une température de fonctionnement basse - Le courant continu est géré efficacement, ce qui fait baisser la température de fonctionnement du moteur à moins de 50deg. Il en résulte un moteur beaucoup plus frais que celui d'un ventilateur à courant alternatif standard et augmente la longévité du moteur.

Une télécommande à distance à 12 vitesses, les ventilateurs de plafond normaux à courant alternatif viennent généralement avec seulement 3 vitesses, ce ventilateur CC est livré avec une télécommande à 12 vitesses, ce qui donne un plus grand choix de niveaux de confort.

MESURES DE SÉCURITÉ

- 1) Europe: Cet appareil peut être utilisé par des enfants âgés de 8 ans et plus et des personnes ayant des capacités physiques, sensorielles ou mentales réduites ou un manque d'expérience et de connaissance s'ils sont sous surveillance ou ont reçu des instructions au préalable concernant l'utilisation de l'appareil en toute sécurité et s'ils comprennent les risques impliqués. Le nettoyage et l'entretien ne doivent pas être faits par des enfants sans une surveillance.
- 2) Australie: Cet appareil n'est pas destiné à être utilisé par de jeunes enfants ou des personnes handicapées à moins qu'ils ne soient adéquatement supervisés par une personne responsable pour s'assurer qu'ils puissent utiliser l'appareil en toute sécurité.
- 3) Les enfants doivent être surveillés pour s'assurer qu'ils ne jouent pas avec l'appareil.
- 4) Un interrupteur de déconnexion omnipolaire doit être incorporé dans le câblage fixe en conformité avec les règles de câblage.



- 5)  Ne jetez pas les appareils électriques dans les ordures ménagères, utiliser les installations de collecte sélective. Contactez votre municipalité pour obtenir des informations concernant les systèmes de collecte disponibles. Si les appareils électriques sont détruits dans des décharges ou dépotoirs, des substances dangereuses peuvent s'infiltrer dans les eaux souterraines et entrer dans la chaîne alimentaire, ce qui pourrait nuire à votre santé et votre bien-être.
- 6) La structure sur laquelle le ventilateur doit être monté doit être capable de supporter un poids de 40kg.
- 7) Le ventilateur doit être monté de telle sorte que les pales soient au moins **2.3** mètres au-dessus du sol pour l'Europe.
- 8) Le ventilateur doit être monté de telle sorte que les lames soient au moins **2.1** mètres au-dessus du sol pour l'Australie.
- 9) Ce ventilateur est adapté pour une utilisation en intérieur. Le montage du ventilateur dans un endroit où il est exposé à l'eau ou à l'humidité est dangereux.
- 10) Seul un électricien agréé doit exécuter l'installation.



AVANT L'INSTALLATION

Déballer votre ventilateur et vérifier le contenu. Vous devez disposer des éléments suivants:

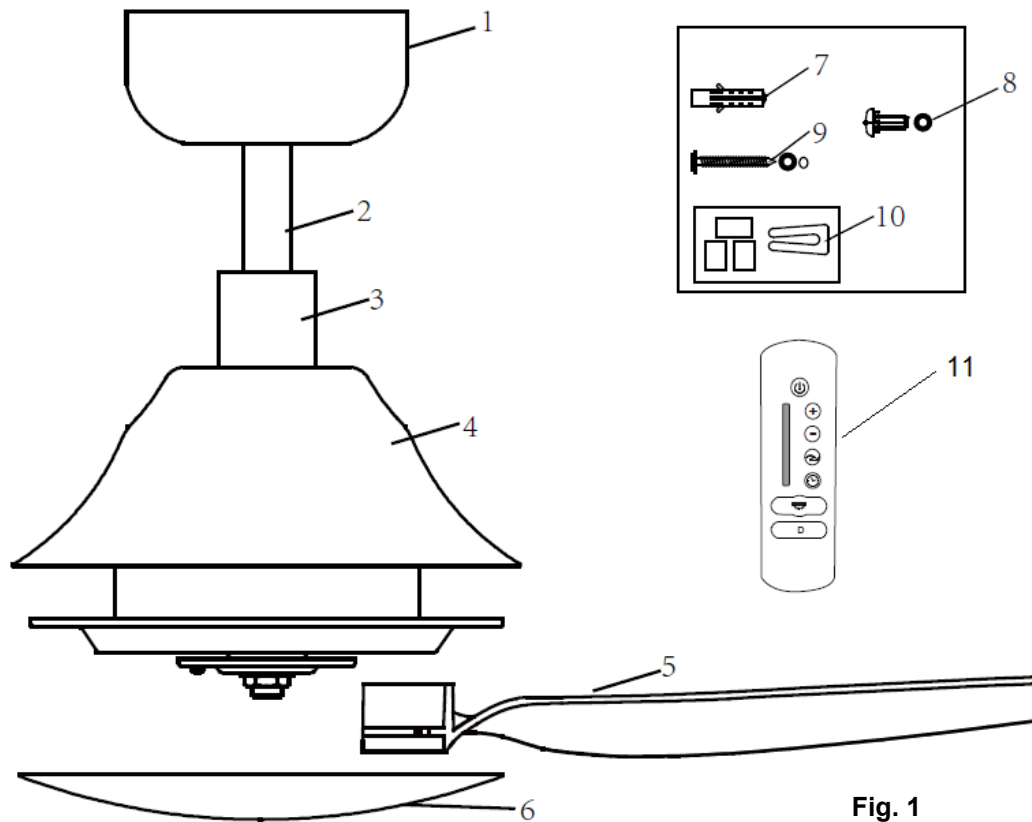


Fig. 1

- 1 Dais x 1
- 2 Down rod x 1
- 3 Protection des connexions x 1
- 4 Ensemble moteur x 1
- 5 Pales x 3
- 6 Protection inférieure X 1
- 7 Chevilles en plastique x 2
- 8 Vis pour pales x 10
- 9 Vis à bois x 2
- 10 Kit d'équilibre x 1 set
- 11 Télécommande x 1 set



Installation du ventilateur

OUTILS NÉCESSAIRES:

- Un tournevis cruciforme / à tête plate
- Une paire de pinces
- Une clé à molette
- Un escabeau
- Une pince coupante
- Le câblage, le câble d'alimentation tel que requis par les codes et les règles de câblage locaux, provinciaux et nationaux.

L'INSTALLATION DU SUPPORT DE MONTAGE

Le ventilateur de plafond doit être installé dans un endroit où la pointe des pales soit à une distance de 300mm des objets ou des murs les plus proches.

Fixer le support de suspension à la solive du plafond ou une structure qui est capable de supporter une charge d'au moins 40 kg, avec deux longues vis. Assurez-vous qu'au moins 30 mm de la vis est vissée dans le support.

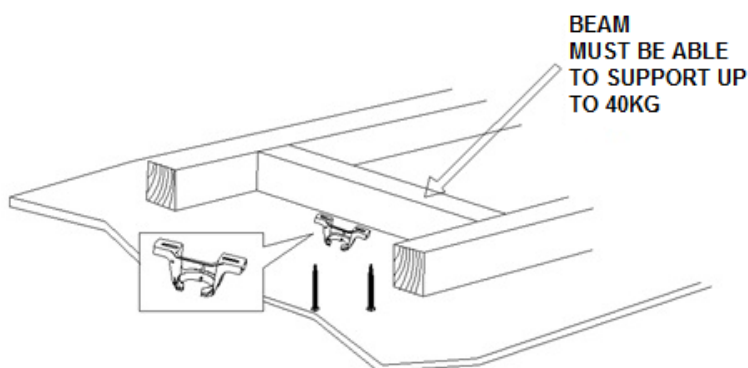


Fig. 2

NOTE: THIS PICTURE IS FOR REPRESENTATION ONLY AND DOES NOT REPRESENT THE ACTUAL BRACKET.

REMARQUE: Les vis de support fournies sont à utiliser avec les structures en bois seulement. Pour les structures autres que celles en bois, le type de vis approprié doit être utilisé.

L'INSTALLATION SUR UN PLAFOND INCLINÉ

Ce système de suspension du ventilateur soutient une installation sur un plafond ayant un angle maximale de 18 degrés.

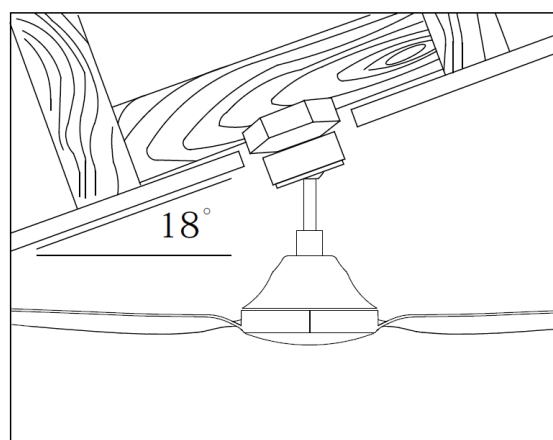


Fig. 3



MISE EN PLACE DE L'ASSEMBLAGE DU VENTILATEUR

- Accrocher le ventilateur sur le support de montage. Figue. 4
- Assurer que l'encoche du joint à rotule est placée sur la butée du support de montage pour empêcher la rotation du ventilateur lorsqu'il sera en fonctionnement. Figue. 5

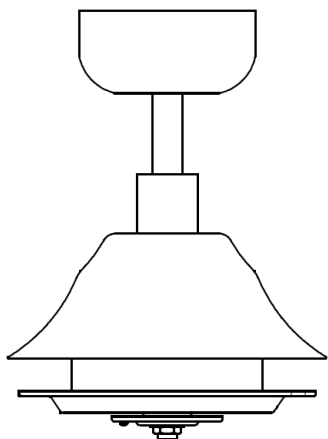


Fig. 4

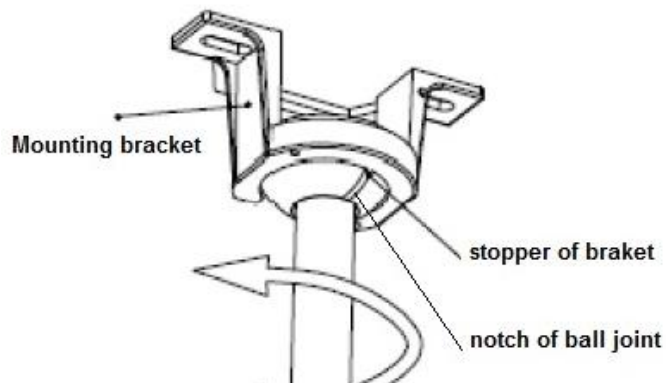


Fig. 5

PREPARER ET COMPLETER LE CABLAGE ELECTRIQUE --- SCHEMA (FIG. 6)

AVERTISSEMENT: POUR VOTRE SÉCURITÉ TOUTES LES CONNEXIONS ÉLECTRIQUES DOIVENT ÊTRE EFFECTUÉES PAR UN ÉLECTRICIEN AGRÉÉ.

REMARQUE: UN INTERRUPTEUR DE DÉCONNECTION OMNIPOLAIRE ADDITIONNEL DOIT ÊTRE INCLUS DANS LE CABLAGE FIXE. VEUILLEZ VOUS ASSURER QUE L'INTERRUPTEUR PRINCIPAL AIT ÉTÉ COUPÉ AVANT LA CONNEXION.

REMARQUE: S'IL YA DEUX OU PLUSIEURS VENTILATEURS CC INSTALLÉS DANS LE MÊME ENDROIT, UN INTERRUPTEUR D'ISOLATION EST NÉCESSAIRE POUR CHAQUE VENTILATEUR AU PLAFOND. CECI EST NÉCESSAIRE POUR LA PROGRAMMATION DE COUPLAGE ENTRE LA TÉLÉCOMMANDE ET LE RECEPTEUR.

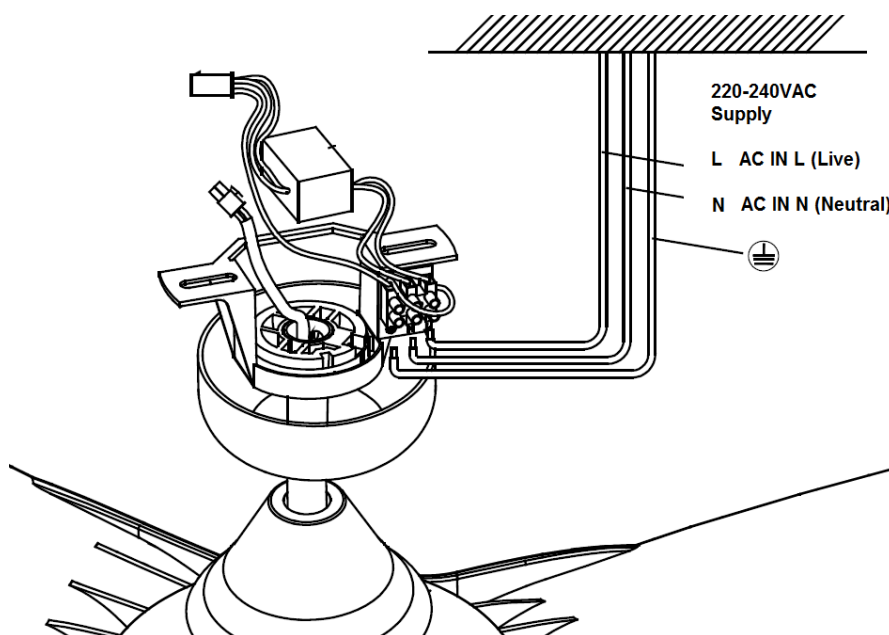


Fig. 6



INSTALLER LE DAIS

- Desserrez les deux vis du bas du support de montage. Fig. 7
- Faites glisser le dais jusqu'au support de montage et placez le trou de la serrure sur le dais au-dessus de la vis sur le support de montage, faites tourner ensuite le dais jusqu'à ce qu'il se verrouille en place à la section étroite des trous de serrure et fixez le en serrant les deux vis de fixation. Évitez d'endommager le câblage électrique préparé auparavant.

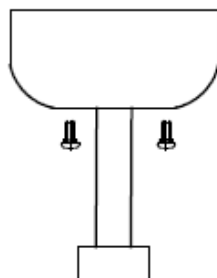


Fig. 7

INSTALLATION DE LA PALE

- Insérez les vis de pale à travers le kit de pale et la pale puis fixer la pale au moteur en serrant les 3 vis. Fig.8
- Répétez cette procédure pour installer les autres pales au moteur.
- Finally install the bottom cover to the light kit housing by rotating it clockwise. Fig. 9

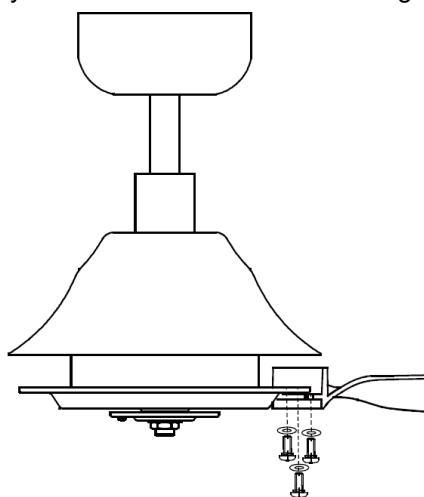


Fig. 8

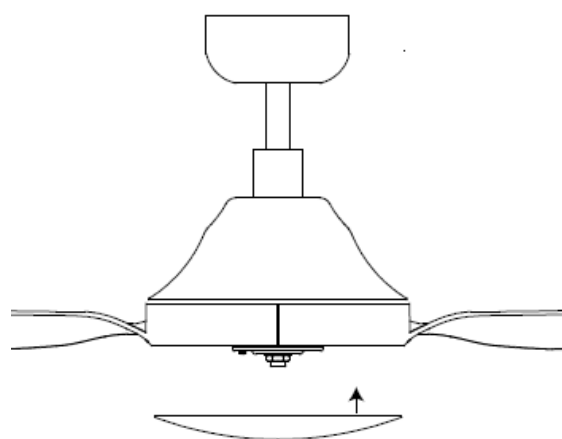


Fig. 9

L'UTILISATION DE VOTRE VENTILATEUR

Couplage télécommande / ventilateur – quand deux ou plusieurs ventilateurs électriques sont installés au même endroit

Quand deux ou plusieurs ventilateurs sont situés au même endroit, il y a lieu de prévoir un code différent pour la télécommande de chaque ventilateur afin que la mise en marche de l'un d'entre eux n'affecte pas le fonctionnement de l'autre (ou des autres).

REMARQUE : assurez-vous que le ventilateur est **EN MARCHÉ** avant de le coupler avec la télécommande.

Couplage télécommande / ventilateur pour le ventilateur 1 :



Airfusion Type A Installation Instructions

- Arrêtez les deux ventilateurs de plafond 1 et 2 avec l'interrupteur du secteur.
- Installez les 2 piles DC 1.5 V dans le compartiment. Assurez-vous de respecter la polarité.
- Mettez le ventilateur 1 en marche. Laissez le ventilateur 2 ARRÊTÉ. (Chaque ventilateur de plafond doit avoir son propre interrupteur isolé, de telle sorte que seul le ventilateur qui doit être couplé avec la télécommande soit EN MARCHÉ).
- Appuyez sur le bouton "⏻" de la **télécommande 1** et maintenez-le enfoncé pendant 3 secondes dans les 60 secondes qui suivent la mise en marche du ventilateur 1.
- Mettez le ventilateur 1 EN MARCHÉ et changez sa vitesse via la télécommande pour vérifier sa bonne marche et la réussite du couplage.

Couplage du ventilateur électrique de plafond 2 :

- Arrêtez les deux ventilateurs 1 et 2 avec l'interrupteur du secteur.
- Installez les 2 piles DC 1.5 V dans le compartiment. Assurez-vous de respecter la polarité.
- Mettez le ventilateur 2 en marche. Laissez le ventilateur 1 ARRÊTÉ. (Chaque ventilateur de plafond doit avoir son propre interrupteur isolé, de telle sorte que seul le ventilateur qui doit être couplé avec la télécommande soit EN MARCHÉ).
- Appuyez sur le bouton "⏻" de la **télécommande 2** et maintenez-le enfoncé pendant 3 secondes dans les 60 secondes qui suivent la mise en marche du ventilateur 2.
- Mettez le ventilateur 2 EN MARCHÉ et changez sa vitesse via la télécommande pour vérifier sa bonne marche et la réussite du couplage.

Remarque : Le couplage de la télécommande et du ventilateur est requis si un seul ventilateur de plafond est installé. Si plus de deux ventilateurs de plafond sont installés à proximité les uns des autres, veuillez suivre les instructions ci-dessus.

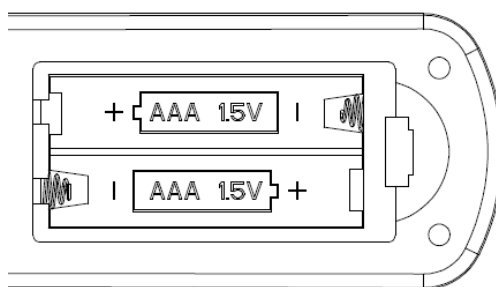


Fig. 10

Boutons de la télécommande

⏻ : BOUTON MARCHÉ / ARRÊT DU VENTILATEUR (A) :

- Appuyez sur ce bouton pour mettre le ventilateur en marche ou pour l'arrêter.



Airfusion Type A Installation Instructions

- Appuyez sur ce bouton et maintenez-le enfoncé pendant 3 secondes dans les 60 secondes qui suivent la mise en marche du ventilateur pour coupler la télécommande et le ventilateur.

+ : BOUTON D'ACCÉLÉRATION (B) : Appuyez sur ce bouton pour augmenter la vitesse du ventilateur. L'indicateur LED (D) indiquera la vitesse du ventilateur (vitesse de 1 à 12) en conséquence.

- : BOUTON DE RALENTISSEMENT (C) : Appuyez sur ce bouton pour diminuer la vitesse du ventilateur. L'indicateur LED (D) indiquera la vitesse du ventilateur (vitesse de 1 à 12) en conséquence.



INDICATEUR LED (D) :

- Indique la vitesse actuelle du ventilateur (vitesse de 1 à 12).
- Indique le réglage actuel de l'arrêt automatique (1 heure, 2 heures, 4 heures, 8 heures).

↻ : BOUTON D'INVERSION (E) : Appuyez sur ce bouton pour inverser le sens de la rotation. Le ventilateur doit être en marche pour qu'il soit possible d'activer la fonction d'inversion.

Remarque : Lorsque le ventilateur ne peut pas détecter la redirection rotative, il s'arrête, appuyez simplement sur le "⏻" deux fois pour activer le ventilateur à nouveau sur la touche.



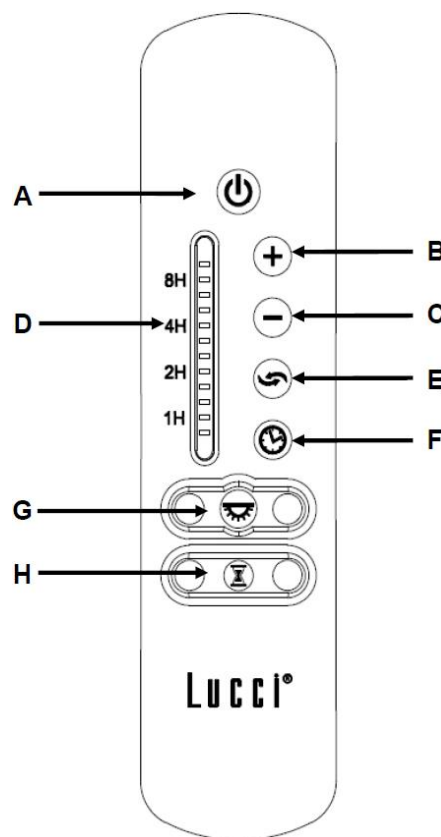
🕒 : BOUTON D'ARRÊT AUTOMATIQUE (F) : Appuyez sur ce bouton pour programmer l'arrêt automatique du ventilateur ou pour annuler ce dernier. Appuyez sur ce bouton pour régler la durée de fonctionnement à 1h → 2h → 4h → 8h → ARRÊT. L'indicateur LED (D) indiquera la durée programmée de fonctionnement du ventilateur (1H, 2H, 4H, et 8H) en conséquence.



💡 : BOUTON D'ALLUMAGE (G) : Appuyez sur ce bouton pour allumer ou éteindre la lumière.



🕒 : BOUTON D'ARRÊT DIFFÉRÉ (H) : Appuyez sur ce bouton pour activer la fonction d'arrêt différé à l'allumage, et le ventilateur s'arrêtera 3 minutes après que la lumière soit allumée.



RÉPARER LE COUPLAGE ENTRE VENTILATEUR ET TÉLÉCOMMANDE

Si la télécommande n'actionne plus le ventilateur, que ce soit lors de l'installation ou pendant l'utilisation, le couplage entre le ventilateur et la télécommande doit être réparé. Vous trouverez ci-dessous les symptômes de




Airfusion Type A Installation Instructions

dysfonctionnement et la méthode nécessaire pour réparer le couplage entre la télécommande et le ventilateur électrique de plafond.

Problèmes :

- Perte de contrôle – Le ventilateur ne tourne plus qu'à vitesse maximale après son installation
- Perte de contrôle – Il est impossible d'inverser le sens de sa rotation après son installation
- Perte de contrôle – La télécommande ne communique pas avec le ventilateur

Solution :

- Arrêtez le ventilateur par l'interrupteur du secteur.
- Appuyez sur le bouton  de la **télécommande** et maintenez-le enfoncé pendant 3 secondes dans les 60 secondes qui suivent la mise en marche du ventilateur.
- Mettez le ventilateur EN MARCHÉ et changez sa vitesse via la télécommande pour vérifier sa bonne marche et la réussite du couplage.

APRES L'INSTALLATION

L'OSCILLATION:

Remarque: Les ventilateurs de plafond ont tendance à bouger pendant le fonctionnement à cause du fait qu'ils soient montés sur une bague en caoutchouc. Si le ventilateur était monté de façon rigide au plafond il causerait une vibration excessive. Un mouvement de quelques centimètres est tout à fait acceptable et ne cause pas de problème.

POUR RÉDUIRE L'OSCILLATION DU VENTILATEUR: Veuillez vérifier que toutes les vis qui fixent le support de montage et la tige de suspension sont fixées.

KIT L'ÉQUILIBRE: Un kit d'équilibre est prévu pour équilibrer le ventilateur de plafond lors de l'installation initiale. Veuillez vous référer à l'instruction sur la façon d'utiliser le kit d'équilibre. Le kit d'équilibrage peut être utilisé pour aider le rééquilibrage dans le cas où le ventilateur de plafond redevenait non-équilibré. Garder votre kit d'équilibrage après installation pour une utilisation dans l'avenir le cas échéant.

LE BRUIT:

Quand il est calme (surtout la nuit), vous entendrez peut-être des petits bruits occasionnels. Les fluctuations de puissance faibles et les signaux de fréquence superposés dans l'électricité pour les périodes creuses de maîtrise de l'eau chaude, peuvent provoquer un changement dans le bruit du moteur du ventilateur.

C'est normal. Veuillez permettre une période de réglage de 24 heures, la plupart des bruits associés à un nouveau ventilateur disparaissent pendant ce temps.

La garantie du fabricant couvre les défauts réels qui peuvent se développer mais PAS les plaintes mineures telles que l'entente du fonctionnement du moteur - Tous les moteurs électriques sont audibles dans une certaine mesure.

ENTRETIEN ET NETTOYAGE

- Le nettoyage périodique de votre ventilateur de plafond est le seul entretien nécessaire. Utilisez une brosse ou un chiffon doux non pelucheux pour éviter de gratter la peinture de finition. S'il vous plaît coupez l'alimentation électrique lorsque vous le faites.



AirFusion Type A Installation Instructions

- Ne pas utiliser d'eau pour nettoyer votre ventilateur de plafond. Cela pourrait endommager le moteur ou les pales et créer la possibilité d'un choc électrique.
- Le moteur a un lubrificateur à roulement à billes en permanence. Il n'a pas besoin d'huile.

Remarque: Toujours couper l'alimentation à l'interrupteur principal avant de tenter de nettoyer votre ventilateur.

INFORMATION TECHNIQUE

AirFusion TYPE A SÉRIE VENTILATEUR CC	Tension nominale	Puissance nominale (moteur)	Batterie pour télécommande
Ventilateur de pale 60" uniquement	220-240VAC	35W	2 x 1.5Vdc AAA

INFORMATIONS SUR LA GARANTIE

EN AUSTRALIE / NOUVELLE-ZELANDE – Veuillez vous référer à la DECLARATION DE GARANTIE séparée.

EN EUROPE - Si vous êtes un client européen veuillez contacter le point de vente où le ventilateur fut acheté pour un service de garantie.



E

ENHORABUENA POR SU COMPRA

Enhorabuena por adquirir lo último en ventiladores de techo que ahorran energía. Este ventilador funciona con alimentación CC (corriente continua) lo que le otorga la ventaja de ser muy eficiente energéticamente a la vez que todavía mantiene un gran volumen de movimiento de aire y un funcionamiento silencioso.


Ahorro de energía – El motor CC es la última tecnología en diseño de ventiladores. Su motor altamente eficiente ahorra hasta un 65% más de energía que los ventiladores de techo con los motores tradicionales CA.

Funcionamiento silencioso – este motor CC está programado con una corriente estabilizada lo que reduce de forma eficiente el ruido del motor.

Baja temperatura de funcionamiento – La alimentación CC está gestionada de forma eficiente lo que reduce la temperatura operativa del motor a menos de 50 grados. Esto provoca un motor mucho más frío que un ventilador CA estándar y aumenta la longevidad del motor.

Con un mando a distancia de 12 velocidades, los ventiladores normales CA normalmente se presentan sólo con 3 velocidades y este ventilador CC se presenta completo con un mando a distancia de 12 velocidades, lo que ofrece una mayor elección de niveles de comodidad.

PRECAUCIONES DE SEGURIDAD

- 1) Europa: este aparato pueden usarlo niños con una edad a partir de 8 años y por personal con capacidades físicas, sensoriales o mentales reducidas o con falta de experiencia o conocimientos si se les ha ofrecido supervisión o instrucciones respecto al uso del aparato de forma segura y si comprenden los riesgos que implican. La limpieza y el mantenimiento no deben realizarlo los niños sin supervisión.
- 2) Australia: este aparato no está diseñado por el uso de niños pequeños o por personas enfermas salvo que se les haya supervisado adecuadamente por parte de una persona responsable para asegurarse que pueden usar el aparato con seguridad.
- 3) Se debe supervisar a los niños para asegurarse que no juegan con el aparato.
- 4) Se debe incorporar un interruptor de desconexión de todos los polos en el cableado fijo conforme a las normas de cableado.
- 5)  No elimine los aparatos eléctricos como residuos municipales sin clasificar; use los puntos de recogida separados. Póngase en contacto con su ayuntamiento local para obtener información respecto a los sistemas de recogida disponibles. En caso de que se deshaga de aparatos eléctricos en vertederos o basureros, se pueden filtrar sustancias peligrosas en el agua subterránea y entrar en la cadena alimentaria, dañando su salud y bienestar.
- 6) La estructura en la que debe montarse debe ser capaz de soportar un peso de 40kg.
- 7) El ventilador debe montarse de forma que los alabes estén a al menos **2.3** metros por encima del suelo en Europa.
- 8) El ventilador debe montarse de forma que los alabes estén a al menos **2.1** metros por encima del suelo en Australia.
- 9) Este ventilador es apto solo para uso doméstico. Es peligroso montar el ventilador en una situación donde esté sujeto al agua o humedad.
- 10) Únicamente un electricista autorizado debe realizar la instalación.



ANTES DE LA INSTALACIÓN

Desembale el ventilador y compruebe los contenidos. Debe disponer de lo siguiente:

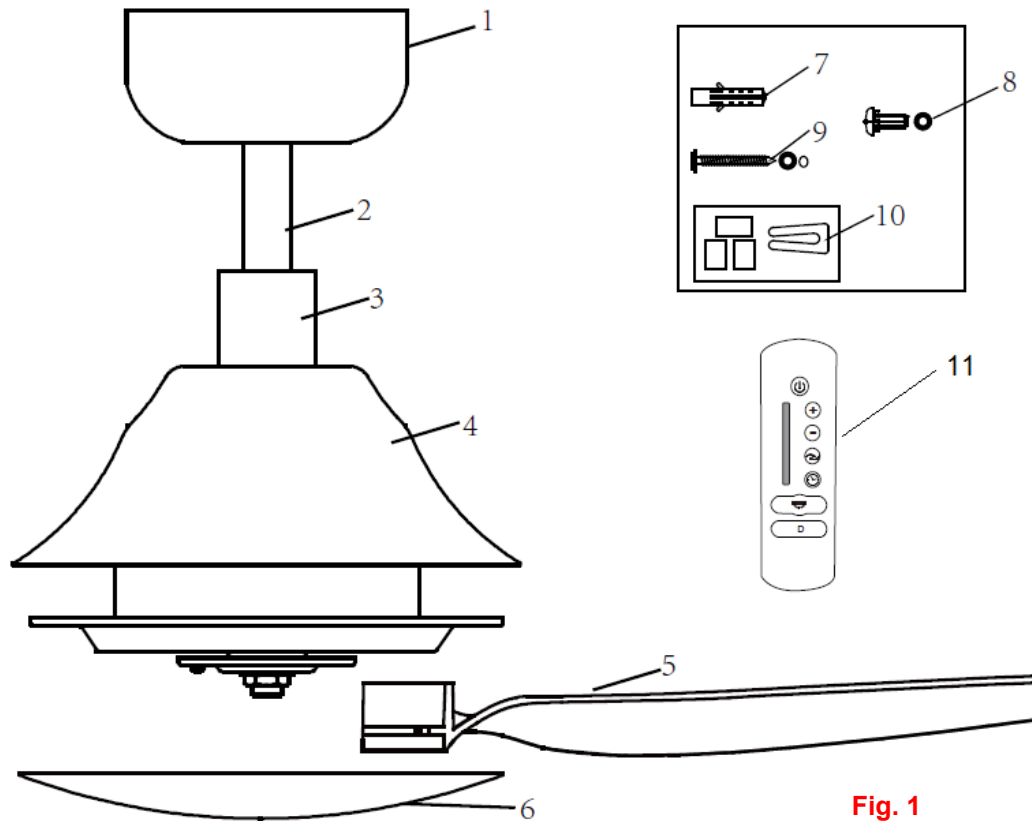


Fig. 1

- 1 Cubierta del toldo x 1
- 2 Barra colgante x 1
- 3 Tapa de acople x 1
- 4 Motor x 1
- 5 Alabes x 3
- 6 Tapa inferior x 1
- 7 Tacos de plástico x 2
- 8 Tornillos de los alabes x10
- 9 Tornillos de madera x 2
- 10 Piezas de nivelación x 1 juego
- 11 Mando a distancia x 1 unidad



INSTALACIÓN DEL VENTILADOR

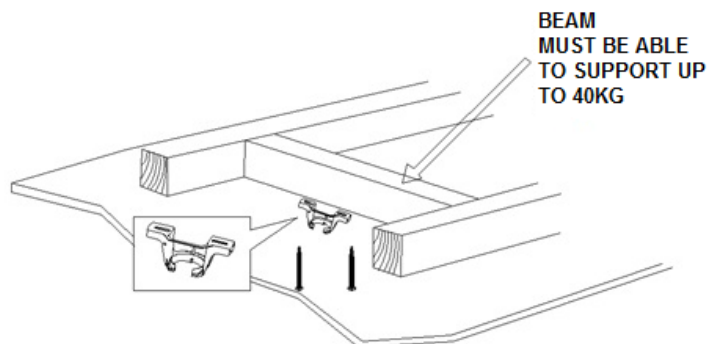
HERRAMIENTAS NECESARIAS:

- Destornillador Phillips / de cabeza plana
- Alicates
- Llave inglesa
- Escalera
- Tijeras para cortar cable
- Cable, cable de alimentación necesario según los códigos y normativas eléctricas locales, nacionales y provinciales.

INSTALACIÓN DE LA ABRAZADERA DE MONTAJE

El ventilador de techo debe instalarse en una ubicación de forma que los alabes presenten un espacio de 300mm desde la punta del alabe a los objetos o paredes más cercanos.

Asegure la abrazadera de montaje a la viga del techo o estructura de forma que sea capaz de soportar una carga de al menos 40kg, con los dos tornillos largos que se adjuntan. Asegúrese que se enrosca al menos 30mm del tornillos en el soporte.



NOTE: THIS PICTURE IS FOR REPRESENTATION ONLY AND DOES NOT REPRESENT THE ACTUAL BRACKET.

Figura 2

NOTA: los tornillos de la abrazadera que se adjuntan son únicamente para su uso con estructuras de madera. Para otras estructuras diferentes a la madera, DEBE usarse el tipo de tornillos adecuado.

INSTALACIÓN EN ÁNGULO EN EL TECHO

Este sistema de suspensión del ventilador soporta un máximo de instalación en ángulo en techo de 18 grados.

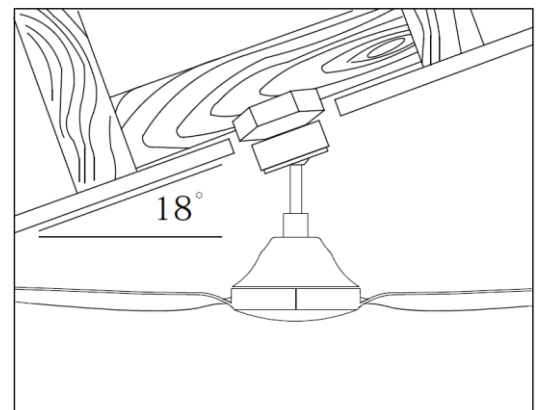


Figura. 3



COLGAR EL MOTOR DEL VENTILADOR

- Levante el ventilador sobre la abrazadera de montaje. Figura 4
- Asegúrese que la muesca de la rótula está colocada sobre la pieza de cierre de la abrazadera de montaje para evitar que el ventilador gire cuando está en funcionamiento. Figura 5

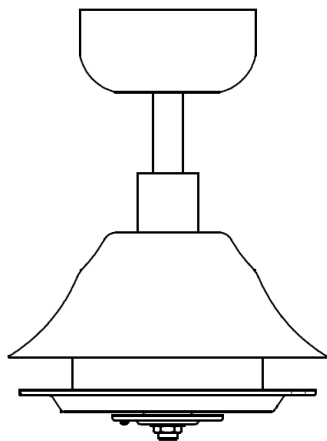


Figura 4

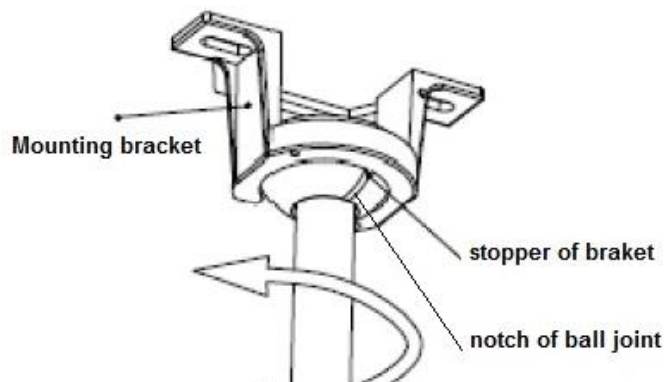


Figura 5

PREPARE Y COMPLETE EL CABLEADO ELÉCTRICO --- DIAGRAMA DE CABLEADO (FIGURA 6)

ADVERTENCIA: POR SU SEGURIDAD, TODAS LAS CONEXIONES ELÉCTRICAS DEBE REALIZARLAS UN ELECTRICISTA CUALIFICADO.

NOTA: SE DEBE INCLUIR UN INTERRUPTOR DE DESCONEXIÓN DE TODOS LOS POLOS EN EL CABLEADO FIJO. POR FAVOR, ASEGÚRESE QUE EL INTERRUPTOR PRINCIPAL SE HA APAGADO ANTES DE CONECTARLO.

NOTA: SI HAY DOS O MÁS VENTILADORES DE TECHO CC INSTALADOS EN UNA UBICACIÓN, ES NECESARIO UN CONTACTOR DE AISLAMIENTO PARA CADA VENTILADOR DE TECHO. ESTO ES NECESARIO CUANDO SE PROGRAMA EL MANDO A DISTANCIA Y EL RECEPTOR PARA EMPAREJARLOS JUNTOS.

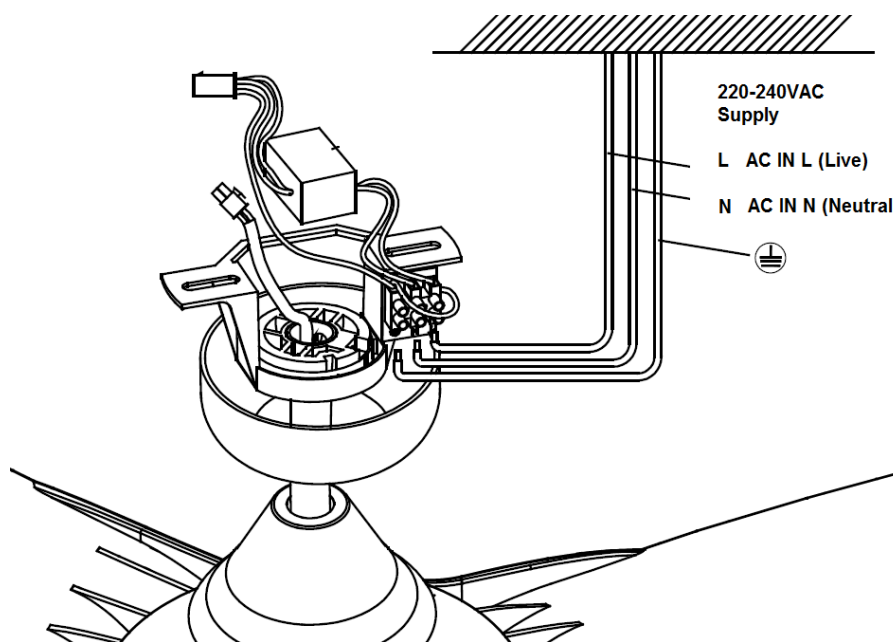


Figura 6



INSTALACIÓN DE LA CUBIERTA DEL TOLDO

- Afloje los 2 tornillos de la parte inferior de la abrazadera de montaje. Figura 7
- Deslice el toldo hasta la abrazadera de montaje y coloque el orificio pequeño del toldo sobre el tornillo de la abrazadera de montaje; gire el toldo hasta que se bloquee en su lugar en la sección estrecha de los orificios pequeños y asegúrelo apretando los dos tornillos. Evite dañar el cableado eléctrico preparado con anterioridad.

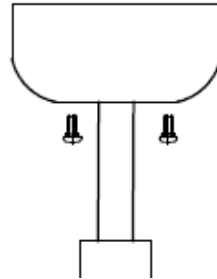


Figura 7

INSTALACIÓN DE LOS ALABES

- Inserte los tornillos de los alabes a través del conjunto de alabes y alabes y posteriormente asegure el alabe al motor apretando los 3 tornillos. Figura 8
- Repita este proceso para instalar los restantes alabes al motor.
- Para finalizar, instale la cubierta inferior a la carcasa del kit de iluminación girándolo en sentido horario. Figura 9

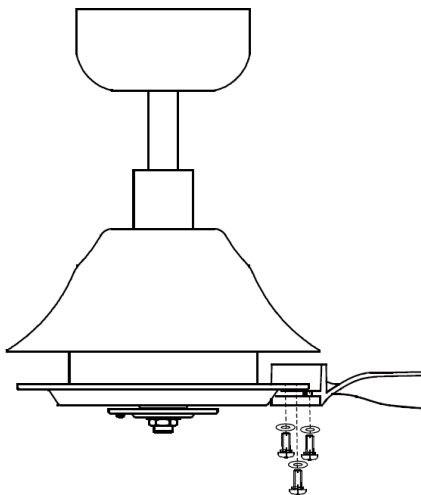


Fig. 8

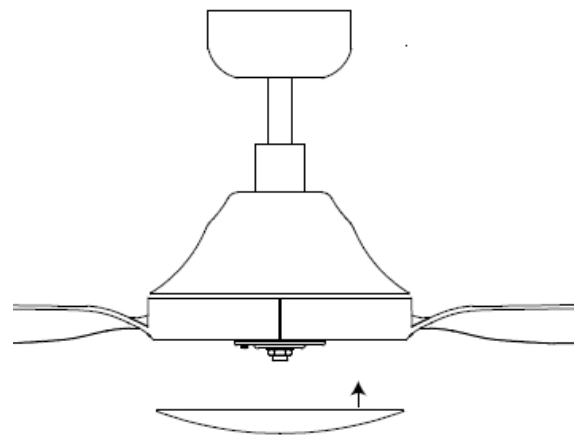


Fig. 9

USO DEL VENTILADOR DE TECHO

Conexión del transmisor y del receptor – con 2 o más ventiladores de techo DC instalados en una ubicación


Con dos o más ventiladores situados a poca distancia, puede que desee que el receptor/transmisor de cada uno tenga un código diferente, para que cada uno funcione de manera independiente.

NOTA: Asegúrese de que el receptor esté **ENCENDIDO** antes de conectar el transmisor con el receptor.


Conexión del transmisor/receptor del ventilador de techo 1:



Airfusion Type A Installation Instructions

- Apague ambos ventiladores de techo desde la alimentación del receptor.
- Ponga las 2 pilas de 1.5VDC en el compartimento. Asegúrese de que la polaridad de las baterías es la correcta.
- Corte la corriente del receptor 1. Mantenga el receptor 2 APAGADO. (Cada ventilador de techo debe llevar su propio interruptor de aislamiento, de manera que solo estará ENCENDIDO el ventilador de techo que tenga que conectarse con el transmisor).
- Mantenga pulsado el botón “” del **transmisor 1** durante 3 segundos, antes de que transcurran 60 segundos después de haber apagado el receptor del ventilador de techo 1.
- ENCIENDA y cambie la velocidad del ventilador 1 con el transmisor para comprobar su funcionamiento y que la conexión se ha realizado correctamente.

Ajuste del ventilador de techo DC 2:

- Apague ambos ventiladores de techo 1 y 2 desde la alimentación del receptor.
- Ponga las 2 pilas de 1.5VDC en el compartimento. Asegúrese de que la polaridad de las baterías es la correcta.
- Corte la corriente del receptor 2. Mantenga el receptor 1 APAGADO. (Cada ventilador de techo debe llevar su propio interruptor de aislamiento, de manera que solo estará ENCENDIDO el ventilador de techo que tenga que conectarse con el transmisor).
- Mantenga pulsado el botón “” del **transmisor 1** durante 3 segundos, antes de que transcurran 60 segundos después de haber apagado el receptor del ventilador de techo 1.
- ENCIENDA y cambie la velocidad del ventilador 2 con el transmisor para comprobar su funcionamiento y que la conexión se ha realizado correctamente.

Nota: la conexión del transmisor y receptor solo es necesaria si solo se instala un ventilador de techo. Cuando se instalen más de dos ventiladores de techo uno cerca del otro, consulte las instrucciones anteriores.

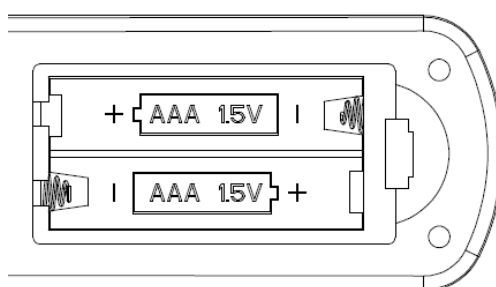


Fig. 10

Botones del mando a distancia

 : BOTÓN DE ENCENDIDO/APAGADO DEL VENTILADOR (A):



Airfusion Type A Installation Instructions


- Pulse el botón para encender/apagar el ventilador.
- Mantenga pulsado el botón durante 3 segundos antes de que transcurran 60 segundos después de encender el receptor para conectar el transmisor con el receptor.

+: BOTÓN PARA AUMENTAR LA VELOCIDAD (B): Pulse el botón para aumentar la velocidad del ventilador. El indicador LED (D) mostrará la velocidad del ventilador (1-12 velocidades), según corresponda.


-: BOTÓN PARA DISMINUIR LA VELOCIDAD (C): Pulse el botón para disminuir la velocidad del ventilador. El indicador LED (D) mostrará la velocidad del ventilador (1-12 velocidades), según corresponda.


1H  : INDICADOR LED (D):


- Muestra el nivel de velocidad actual del ventilador (1-12 velocidades).
- Muestra el tiempo de ajuste del temporizador (1 hora, 2 horas, 4 horas, 8 horas).

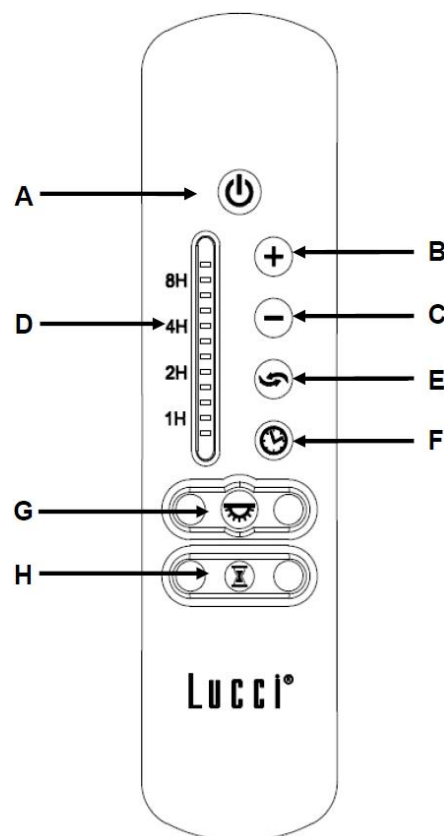
 : BOTÓN DE FUNCIÓN INVERSA (E): Pulse el botón para activar el funcionamiento inverso. El ventilador deberá estar en marcha para activar la función inversa.

Nota: Cuando el ventilador no puede detectar la redirección rotatoria se detiene, simplemente pulse el "⏻" botón dos veces para activar el ventilador nuevo.

 : BOTÓN DE TEMPORIZADOR DEL VENTILADOR (F): Pulse el botón y programe el temporizador para que el ventilador se apague automáticamente o para cancelar el temporizador. Pulse el botón para poner el temporizador a 1h → 2h → 4h → 8h → Timer OFF. El indicador LED (D) mostrará el temporizador del ventilador (1H, 2H, 4H, y 8H), según corresponda.

 : BOTÓN DE CONTROL DE LA LUZ (G): Pulse el botón para encender/apagar la luz.

 : BOTÓN DE RETARDO DE LA LUZ (H): Pulse el botón para activar la función de retardo de la luz, que apagará el ventilador tres minutos más tarde.



REPARACIÓN DEL RECEPTOR DEL VENTILADOR Y CONEXIÓN DEL MANDO A DISTANCIA

En caso de que el mando y el receptor pierdan el control después de la instalación o durante el uso, deberá repararse




Airfusion Type A Installation Instructions

la conexión entre el mando y el receptor. A continuación, se muestran los síntomas de funcionamiento y el método para reparar la conexión del mando a distancia y el receptor del ventilador de techo DC.

Problemas:

- Pérdida de control - el ventilador solo funciona a velocidad rápida después de la instalación
- Pérdida de control - sin función de inversión después de la instalación
- Pérdida de control - el mando no se comunica con el receptor

Solución:

- Desconecte la alimentación principal del ventilador de techo.
- Mantenga pulsado el botón  del **transmisor** durante 3 segundos, antes de que transcurran 60 segundos después de haber apagado el receptor del ventilador de techo.
- ENCIENDA y cambie la velocidad del ventilador con el transmisor para comprobar su funcionamiento y que la conexión se ha realizado correctamente.

TRAS LA INSTALACIÓN

BALANCEO DEL EJE:

Nota: los ventiladores de techo tienden a moverse durante su funcionamiento debido al hecho de que están montados sobre un ojal de goma. Si el ventilador se monta de forma rígida en el techo podría provocar una vibración excesiva. El movimiento de unos centímetros es bastante aceptable y no sugiere ningún problema.

PARA REDUCIR EL BALANCEO DEL EJE DEL VENTILADOR: por favor, compruebe que todos los tornillos que se fijan a la abrazadera de montaje y a la varilla vertical están seguros.

KIT DE EQUILIBRADO: se suministra un kit de equilibrado en la instalación inicial. Por favor, remítase a las instrucciones sobre cómo usar el kit de equilibrado. Se puede usar el kit de equilibrado para ayudar a volver a equilibrarse en caso de que el ventilador de techo se vuelva a desequilibrar. Guarde el kit de equilibrado tras la instalación para su uso futuro si es necesario.

RUIDO:

Cuando todo esté silencioso (en especial por la noche) puede oír pequeños ruidos ocasionales. Las ligeras fluctuaciones de corriente y de señales de frecuencia superpuestas en la electricidad para el control de agua caliente fuera de las horas punta pueden provocar un cambio en el ruido del motor del ventilador.

Esto es normal. Por favor, deje un periodo de "instalación" de 24 horas; la mayoría de los ruidos asociados con un ventilador nuevo desaparecen durante este tiempo.

La garantía del fabricante cubre los fallos reales que pueden producirse y NO pequeñas quejas como oír el funcionamiento del motor – Todos los motores eléctricos se oyen hasta cierto punto.

CUIDADO Y LIMPIEZA

- El único mantenimiento requerido es una limpieza periódica del ventilador de techo. Use un cepillo suave o un paño sin hilos para evitar rayar el acabado de pintura. Por favor, apague la alimentación eléctrica cuando lo haga.



Airfusion Type A Installation Instructions

- No use agua cuando limpie el ventilador de techo. Puede provocar daños en el motor o en los alabes y crear la posibilidad de una descarga eléctrica.
- El motor presenta un cojinete de bolas permanentemente lubricado. No es necesario engrasarlo.

NOTA: apague siempre la alimentación del interruptor de corriente antes de intentar limpiar el ventilador.

INFORMACIÓN TÉCNICA

Modelos de VENTILADOR CC SERIE AIRFUSION TYPE A	Tensión nominal	Potencia nominal (motor)	Batería para el mando a distancia
Sólo para el ventilador con alabe de 60"	220-240VAC	35W	2 x 1.5Vdc AAA

INFORMACIÓN SOBRE LA GARANTÍA

EN AUSTRALIA / NUEVA ZELANDA – Por favor remítase a la DECLARACIÓN DE GARANTÍA separada.

EN EUROPA – Si es un cliente europeo, por favor póngase en contacto con el establecimiento donde adquirió el ventilador para el servicio de garantía.





CONGRATULAZIONI PER IL VOSTRO ACQUISTO

Congratulazioni per aver acquistato il prodotto più recente tra i ventilatori da soffitto a risparmio d'energia. Questo ventilatore funziona a CC (corrente continua) con il vantaggio che è super efficiente dal punto di vista energetico, pur mantenendo un alto volume di spostamento d'aria ed un funzionamento silenzioso.



Risparmio energetico – Il motore a corrente continua è la tecnologia più recente nella progettazione di ventilatori. Il suo motore altamente efficiente fa risparmiare più del 65% d'energia rispetto ai ventilatori da soffitto con i tradizionali motori a corrente alternata.

Funzionamento silenzioso – questo motore a corrente continua per ventilatore è programmato con una corrente stabilizzata che riduce in maniera efficiente il rumore del motore.

Bassa temperatura di funzionamento – L'alimentazione a corrente continua viene gestita in modo efficiente, il che abbassa la temperatura di funzionamento del motore a meno di 50 gradi. Ciò risulta in un motore molto più fresco di un ventilatore standard a corrente alternata ed aumenta la vita del motore.

Telecomando a 12 velocità, i normali ventilatori da soffitto a corrente alternata di solito hanno solo 3 velocità, questo ventilatore a corrente continua viene con un telecomando a 12 velocità, il che dà una più ampia scelta di livelli di comodità.

PRECAUZIONI DI SICUREZZA

- 1) Europa: Questo elettrodomestico può essere usato dai bambini dagli 8 anni in su e da persone con ridotte capacità fisiche, sensoriali o mentali o con mancanza d'esperienza e conoscenza, se sono controllate o se vengono loro date istruzioni sull'uso sicuro dell'elettrodomestico e ne comprendono i pericoli. La pulizia e la manutenzione non dovrebbero essere fatte da bambini senza supervisione.
 - 2) Australia: Questo elettrodomestico non è inteso per l'uso da parte di bambini piccoli o da persone inferme, salvo esse siano adeguatamente controllate da una persona responsabile per assicurarsi che sappiano usare l'elettrodomestico in modo sicuro.
 - 3) I bambini dovrebbero essere controllati per assicurarsi che non giochino con l'elettrodomestico.
 - 4) Deve essere incorporato nel cablaggio fisso un sezionatore onnipolare secondo i regolamenti di cablaggio.
- 
- 5)  Non smaltite gli elettrodomestici come rifiuti cittadini non differenziati, usate le strutture di raccolta differenziata. Contattate il vostro governo locale per ottenere informazioni relativamente ai sistemi di raccolta disponibili. Se gli elettrodomestici sono smaltiti in discariche, delle sostanze pericolose possono percolare nelle falde acquifere ed inserirsi nella catena alimentare, recando danni alla vostra salute e benessere.
 - 6) La struttura su cui deve essere montato il ventilatore deve essere in grado di sostenere un peso di 40kg.
 - 7) In Europa il ventilatore dovrebbe essere montato in modo che le pale si trovino ad almeno **2,3** metri al di sopra del pavimento.
 - 8) In Australia il ventilatore dovrebbe essere montato in modo che le pale si trovino ad almeno **2,1** metri al di sopra del pavimento.
 - 9) Questo ventilatore è adatto solo per uso interno. E' pericoloso montare il ventilatore in una situazione in cui è soggetto ad acqua od umidità.
 - 10) L'installazione dovrebbe essere eseguita solo da un elettricista autorizzato.



PRIMA DELL'INSTALLAZIONE

Disimballate il vostro ventilatore e verificate il contenuto. Dovreste avere quanto segue:

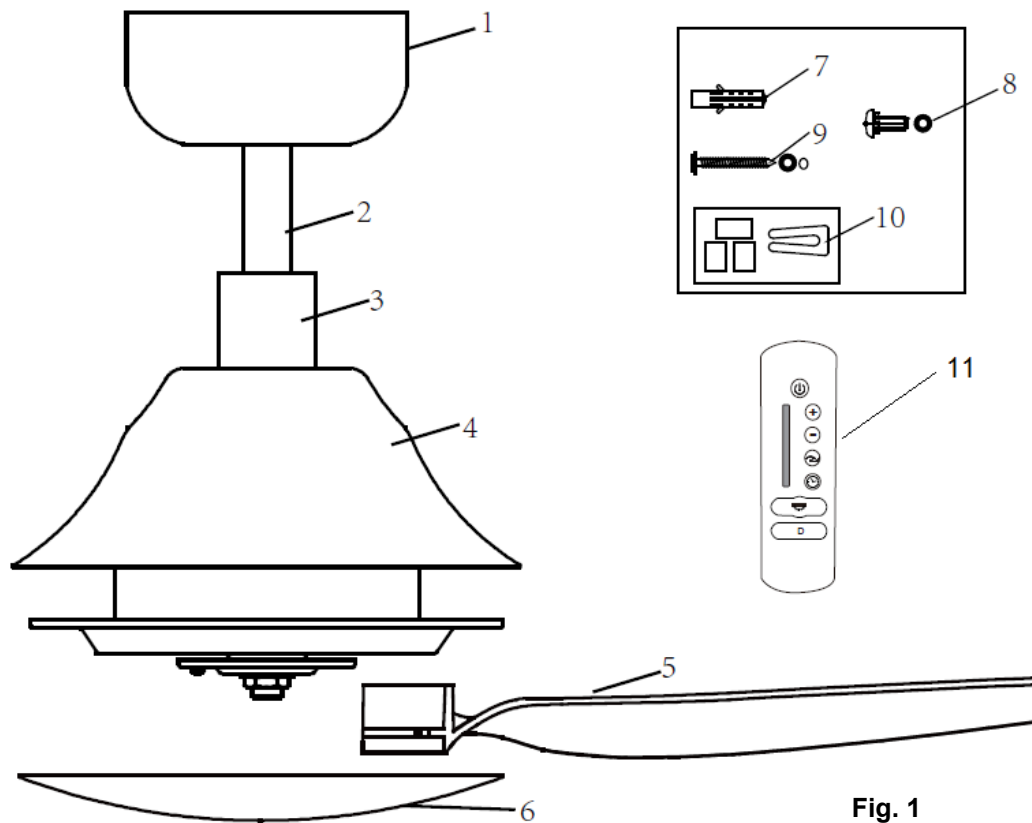


Fig. 1

- 1 Copertura x 1
- 2 Staffa di sospensione x 1
- 3 Coperchio giunto x 1
- 4 Gruppo motore x 1
- 5 Pale x 3
- 6 Coperchio inferiore x 1
- 7 Ancoraggi in plastica x 2
- 8 Viti pale x10
- 9 Viti per legno x 2
- 10 Kit oscillazione x 1 set
- 11 Telecomando x 1 set



INSTALLAZIONE DEL VENTILATORE

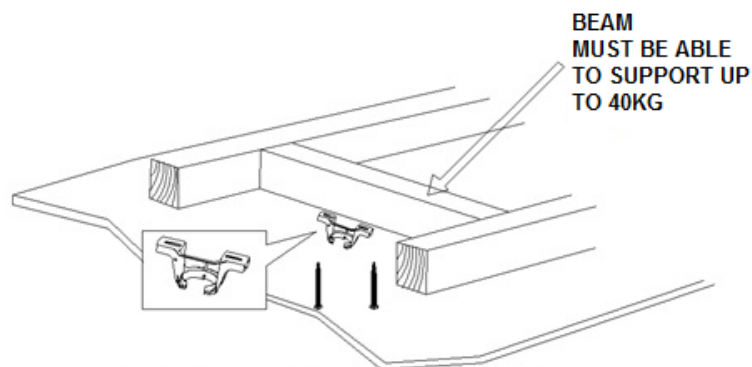
ATTREZZI NECESSARI:

- Cacciavite a stella/a testa piatta
- Un paio di pinze
- Una chiave inglese regolabile
- Scala
- Pinza tagliafili
- Fili elettrici, cavo d'alimentazione, come richiesti dai codici e regolamenti elettrici locali, provinciali e nazionali.

INSTALLAZIONE DELLA STAFFA DI MONTAGGIO

Il ventilatore da soffitto deve essere installato in una posizione tale che vi siano 300 mm di spazio dalla punta della pala all'oggetto o al muro più vicino.

Assicurate, con le due viti lunghe fornite, la staffa di sospensione alla trave del soffitto o ad una struttura che sia in grado di sostenere un carico di almeno 40 kg. Assicuratevi che almeno 30mm della vite siano avvitate nel supporto.



NOTE: THIS PICTURE IS FOR REPRESENTATION ONLY AND DOES NOT REPRESENT THE ACTUAL BRACKET.

Fig. 2

NOTA: Le viti della staffa fornite sono per utilizzo solo su strutture in legno. Per strutture diverse dal legno DEVONO essere utilizzate le viti adeguate.

INSTALLAZIONE SU SOFFITTO INCLINATO

Questo sistema di ventilatore sospeso tollera un'installazione su un soffitto inclinato di massimo 18 gradi.

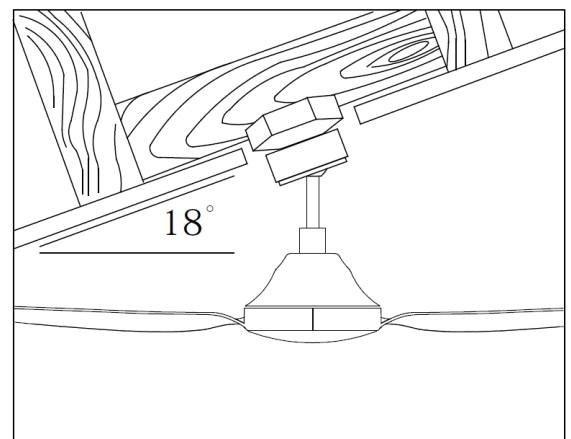


Fig. 3



COME APPENDERE IL GRUPPO MOTORE DEL VENTILATORE

- Sollevare il gruppo ventilatore sulla staffa di montaggio Figura 4
- Assicuratevi che la tacca della giunzione a sfera sia posizionata sul fermo della staffa di montaggio per impedire al ventilatore di ruotare quando in funzione. Figura 5

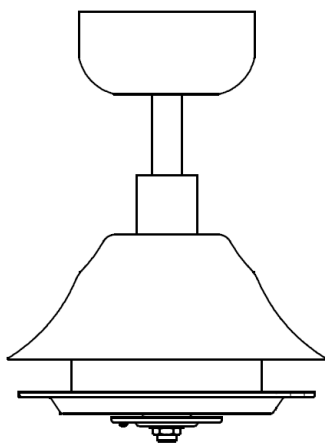


Fig. 4

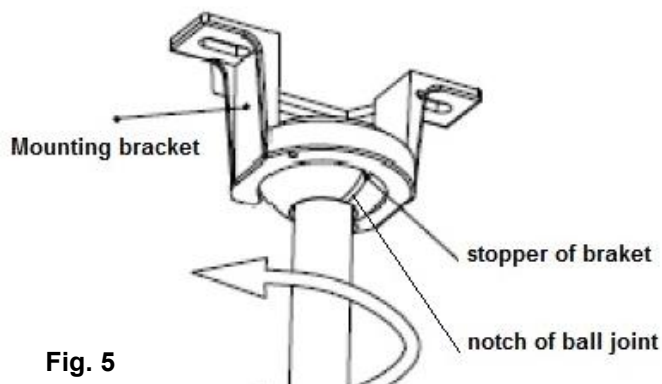


Fig. 5

PREPARARE E COMPLETARE IL CABLAGGIO ELETTRICO – SCHEMA ELETTRICO (FIG. 6)

AVVERTENZA: PER LA VOSTRA SICUREZZA, TUTTE LE CONNESSIONI ELETTRICHE DEVONO ESSERE ESEGUITE DA UN ELETTRICISTA AUTORIZZATO.

NOTA: NEL CABLAGGIO FISSO DEVE ESSERE INCLUSO UN SEZIONATORE ONNIPOLARE AGGIUNTIVO. ASSICURATEVI CHE L'INTERRUTTORE PRINCIPALE SIA STATO SPENTO PRIMA DI EFFETTUARE LE CONNESSIONI.

NOTA: SE SONO INSTALLATI DUE O PIÙ VENTILATORI DA SOFFITTO A CORRENTE CONTINUA NELLA STESSA LOCAZIONE, È RICHIESTO UN INTERRUTTORE DI ISOLAMENTO PER OGNI VENTILATORE A SOFFITTO. CIÒ È RICHIESTO QUANDO SI PROGRAMMA L'ACCOPPIAMENTO DEL TELECOMANDO E DEL RICEVITORE..

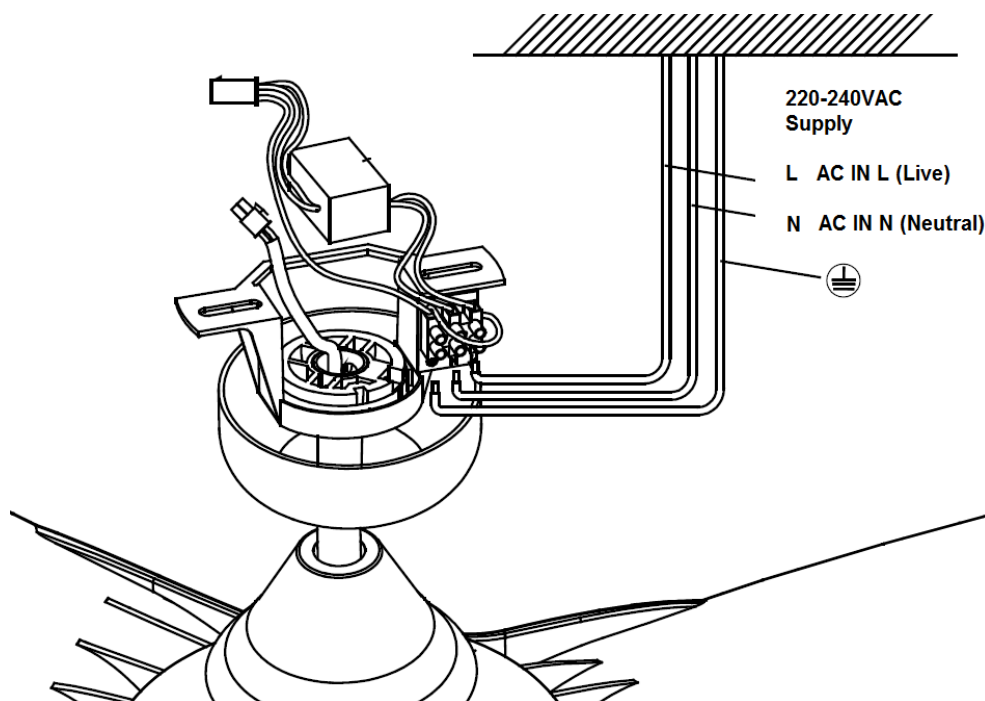


Fig. 6



INSTALLAZIONE DEL COPERCHIO DELLA CALOTTA

- Allentate le 2 viti dal fondo della staffa di montaggio. Figura 7
- Fate scivolare la calotta fino alla staffa di montaggio e mettete il foro sulla calotta direttamente sulla vite sulla staffa di montaggio, girate la calotta fino a che si blocca al suo posto nella sezione stretta dei fori ed assicuratela stringendo le due viti predisposte. Evitate di danneggiare i fili elettrici predisposti.

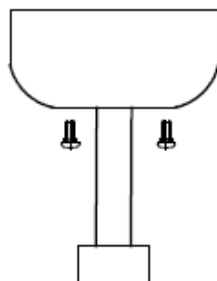


Fig. 7

INSTALLAZIONE DELLA PALA

- Inserite le viti della pala passando attraverso il kit della pala e la pala stessa, quindi assicurate la pala al motore stringendo le 3 viti. Figura 8
- Ripetere questo processo per installare le altre pale sul motore.
- Infine installate il coperchio inferiore sull'alloggio del kit luce ruotandolo in senso orario. Figura 9

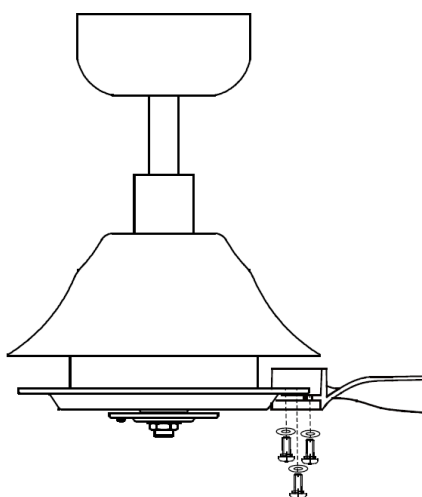


Fig. 8

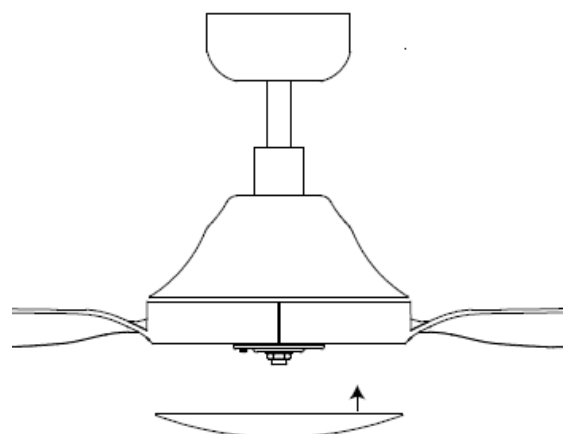


Fig. 9

UTILIZZO DEL VOSTRO VENTILATORE A SOFFITTO

Associare il trasmettitore al ricevitore – quando si installano 2 o più ventilatori a soffitto alimentati CC

Quando si installano due o più ventilatori vicini, potrebbe essere necessario di avere il ricevitore/trasmettitore per ogni singolo ventilatore impostato a un codice diverso, in modo che il funzionamento di un ventilatore non influenzi il funzionamento dell'altro o degli altri.

NOTA: Assicurarsi che il ricevitore sia in posizione **ON** prima di associare il trasmettitore al ricevitore.

Associazione trasmettitore/ricevitore per 1 ventilatore a soffitto:

- Spegnerne entrambe i ventilatori a soffitto 1 e 2 interrompendo l'alimentazione al ricevitore.



Airfusion Type A Installation Instructions

- Inserire le 2 batterie da x 1,5VDC nell'apposito compartimento. Assicurarsi di rispettare la corretta polarità della batteria.
- Attivare l'alimentazione al ricevitore 1. Mantenere il ricevitore 2 in posizione OFF. (Ogni singolo ventilatore deve avere il proprio interruttore di isolamento in modo che solo il ventilatore da associare al trasmettitore abbia l'interruttore su ON).
- Tenere premuto il pulsante "⏻" sul **trasmettitore 1** per 3 secondi nei 60 secondi in cui si commuta l'alimentazione al ricevitore del ventilatore 1.
- Posizionare l'interruttore su ON e modificare la velocità del ventilatore 1 tramite il trasmettitore per verificarne il funzionamento e la corretta associazione.

Impostare il ventilator a soffitto 2 alimentato CC:

- Spegnerne entrambe i ventilatori 1 e 2 tramite l'interrompendo l'alimentazione al ricevitore.
- Inserire le 2 batterie da x 1,5VDC nell'apposito compartimento. Assicurarsi di rispettare la corretta polarità della batteria.
- Attivare l'alimentazione al ricevitore 2. Mantenere il ricevitore 1 in posizione OFF. (Ogni singolo ventilatore deve avere il proprio interruttore di isolamento in modo che solo il ventilatore da associare al trasmettitore abbia l'interruttore su ON).
- Tenere premuto il pulsante "⏻" sul **trasmettitore 2** per 3 secondi nei 60 secondi in cui si commuta l'alimentazione al ricevitore del ventilatore 2.
- Posizionare l'interruttore su ON e modificare la velocità del ventilatore 1 tramite il trasmettitore per verificarne il funzionamento e la corretta associazione.

Nota: L'associazione di trasmettitore e ricevitore è richiesta se si installa un solo ventilatore. Quando si installano due ventilatori uno vicino all'altro fare riferimento alle istruzioni sopra indicate.

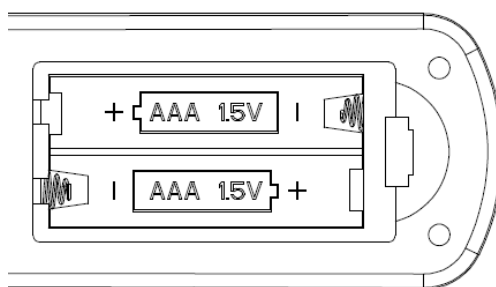


Fig. 10

Pulsanti telecomando

⏻ : PULSANTE VENTILATORE ON/OFF (A):

- Premere il pulsante per accendere o spegnere il ventilatore.



Airfusion Type A Installation Instructions

- Tenere premuto il pulsante 3 r 3 secondi nei 60 secondi in cui si commuta l'alimentazione al ricevitore per l'associazione del trasmettitore con il ricevitore.

+: PULSANTE AUMENTO VELOCITÀ (B): Premere il pulsante per aumentare la velocità del ventilatore. L'indicatore LED (D) mostrerà la relativa velocità del ventilatore (1-12 velocità).

-: PULSANTE RIDUZIONE VELOCITÀ (C): Premere il pulsante per diminuire la velocità del ventilatore. L'indicatore LED (D) mostrerà la relativa velocità del ventilatore (1-12 speed).

1H : INDICATORE LED (D):

- Indica l'attuale livello di velocità del ventilatore (1-12 velocità).
- Indica l'attuale impostazione oraria del timer (1 ora, 2 ore, 4 ore, 8 ore).

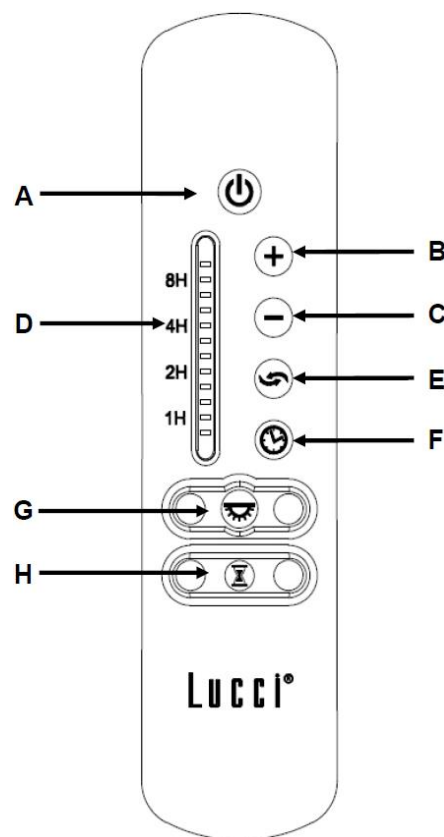
↻: PULSANTE INVERSIONE DI MARCIA (E): Premere il pulsante per attivare la funzione di inversione di marcia. Il ventilatore deve essere in funzione per poter attivare l'inversione.

Nota: Quando la ventola non è in grado di rilevare il reindirizzamento rotante si ferma, basta premere il "⏻" pulsante due volte per attivare nuovamente la ventola.

🕒: PULSANTE TIMER VENTILATORE (F): Premere il pulsante per avviare la programmazione del timer per spegnere automaticamente il ventilatore o per disattivare il timer. Premere il pulsante per impostare il timer a 1h → 2h → 4h → 8h → Timer OFF. L'indicatore LED (D) mostrerà il relativo orario impostato sul timer (1H, 2H, 4H, and 8H) del ventilatore.

🔆: PULSANTE REGOLAZIONE LUCE (G): Premere il pulsante per accendere o spegnere la luce.

🕒: PULSANTE RITARDO SPEGNIMENTO LUCE (H): Premere il pulsante per attivare la funzione di ritardo spegnimento luce che disattiverà il ventilatore 3 minuti dopo.



RIPRISTINARE L'ASSOCIAZIONE RICEVITORE E TELECOMANDO DEL VENTILATORE


Qualora il telecomando e il ricevitore dovessero perdere il controllo dopo l'installazione o durante l'uso, è necessario ripristinare l'associazione del ricevitore e del telecomando. Qui di seguito le condizioni di funzionamento e i metodi di ripristino del ricevitore e del telecomando relativi al ventilatore a soffitto alimentato CC.



Problemi:

- Perdita di controllo – In seguito all'installazione il ventilatore funziona solo a velocità massima
- Perdita di controllo – Non è possibile invertire la marcia del ventilatore in seguito all'installazione
- Perdita di controllo – Il telecomando non comunica con il ricevitore

Soluzioni:

- Disattivare l'alimentazione generale del ventilatore.
- Tenere premuto il pulsante “” sul **trasmettitore** per 3 secondi nei 60 secondi in cui si commuta l'alimentazione al ricevitore del ventilatore.
- Accendere il ventilatore e modificare la velocità attraverso il trasmettitore per controllare il corretto funzionamento dell'associazione.

DOPO L'INSTALLAZIONE

OSCILLAZIONE:

Nota: I ventilatori a soffitto tendono a muoversi durante il funzionamento a causa del fatto che sono montati su un anello di gomma. Se il ventilatore fosse montato in modo rigido al soffitto questo causerebbe una vibrazione eccessiva. Un movimento di alcuni centimetri è alquanto accettabile e non indica alcun problema.

PER RIDURRE L'OSCILLAZIONE DEL VENTILATORE: Vogliate controllare che tutte le viti che fissano la staffa di montaggio e l'asta discendente siano ben strette.

KIT DI BILANCIAMENTO: Viene fornito un kit di bilanciamento per equilibrare il ventilatore a soffitto all'atto dell'installazione iniziale. Vogliate far riferimento alle istruzioni su come usare il kit di bilanciamento. Il kit di bilanciamento può essere usato per aiutare il ribilanciamento se il ventilatore a soffitto dovesse andare di nuovo fuori bilanciamento. Conservate il vostro kit di bilanciamento dopo l'installazione per uso futuro, se necessario.

RUMORE:

Quando vi è silenzio (specialmente di notte) potreste udire occasionalmente dei piccoli rumori. Leggere fluttuazioni di corrente e segnali di frequenza sovrapposti nell'elettricità per il controllo dell'acqua calda fuori picco, possono causare un cambiamento nel rumore del motore del ventilatore.

Ciò è normale. Vogliate attendere un periodo di 24 ore di “assestamento”; la maggior parte dei rumori associati ad un nuovo ventilatore spariscono durante questo periodo di tempo. Ciò è normale. Vogliate attendere un periodo di 24 ore di “assestamento”; la maggior parte dei rumori associati ad un nuovo ventilatore spariscono durante questo periodo di tempo.

La garanzia del produttore copre guasti effettivi che possono svilupparsi e NON reclami minori quali l'udire il funzionamento del motore – Tutti i motori elettrici sono udibili in qualche misura.

CURA E PULIZIA

- La pulizia periodica del vostro ventilatore a soffitto è la sola manutenzione richiesta. Usate una spazzola soffice od un panno non peloso per evitare di graffiare la finitura a vernice. Vogliate scollegare l'alimentazione elettrica quando lo fate.
- Non usate acqua quando pulite il vostro ventilatore a soffitto. Ciò potrebbe danneggiare il motore o le pale e creare la possibilità di una scossa elettrica.
- Il motore ha un cuscinetto a sfera lubrificato in modo permanente. Non vi è alcuna necessità di oliare.



NOTA: Spegnete sempre l'alimentazione all'interruttore di rete prima di tentare di pulire il vostro ventilatore.

INFORMAZIONI TECNICHE

Modelli VENTILATORI A CORRENTE CONTINUA AIRFUSION TYPE A	Tensione nominale	Alimentazione nominale (motore)	Batteria per telecomando
solo per pale da 60"	220-240V CA	35W	2 x 1.5Vdc AAA

INFORMAZIONI SULLA GARANZIA

IN AUSTRALIA / NUOVA ZELANDA – Vogliate far riferimento alla separata DICHIARAZIONE DI GARANZIA.

IN EUROPA – Se siete un cliente europeo vogliate contattare il dettagliante dove è stata comprato il ventilatore per la manutenzione in garanzia.





GEFELICITEERD MET UW AANKOOP

Gefeliciteerd met de aankoop van de nieuwste generatie energiezuinige plafondventilatoren. Deze ventilator draait op DC (gelijkstroom), wat hem het voordeel geeft super energiezuinig te zijn, met behoud van een hoog volume aan luchtbewegingen en fluisterstille werking.

Energiebesparing - De DC-motor is de nieuwste technologie in ventilatorontwerp. De uiterst efficiënte motor bespaart tot 65% meer energie dan bij plafondventilatoren met traditionele AC-motoren.

Fluisterstille werking - deze DC-ventilatormotor is geprogrammeerd met een gestabiliseerde stroom die het motorgeluid efficiënt reduceert.


Geringe opwarming tijdens werking - De gelijkstroom wordt effectief beheerd waardoor de temperatuur van de motor slechts oploopt tot minder dan 50 graden. Dit resulteert in een veel koelere motor dan bij een standaard AC-ventilator en verhoogt de levensduur van de motor.

Afstandsbediening voor zes snelheden, AC-plafondventilatoren beschikken meestal over slechts 3 snelheden, deze DC-ventilator wordt compleet geleverd met een afstandsbediening voor 12 snelheden, welke een grotere keuze van comfort geven.

VEILIGHEIDSVOORSCHRIFTEN

- 1) Europa: Dit apparaat kan worden gebruikt door kinderen van 8 jaar en ouder en personen met verminderde lichamelijke, zintuiglijke of verstandelijke vermogens of gebrek aan ervaring en kennis, indien zij onder toezicht staan of, op een veilige manier, worden geïnstrueerd over het gebruik van het apparaat en de mogelijke gevaren begrijpen. Schoonmaak en onderhoudswerkzaamheden mogen niet door kinderen worden uitgevoerd zonder toezicht.
- 2) Australië: Dit apparaat is niet bedoeld voor gebruik door jonge kinderen of zwakke personen, tenzij zij op adequate wijze onder toezicht zijn van een verantwoordelijk persoon om ervoor te zorgen dat ze het toestel veilig kunnen gebruiken.
- 3) Kinderen moeten onder toezicht staan om ervoor te zorgen dat ze niet met het apparaat spelen.
- 4) Een meerpolige schakelaar (om het apparaat uit te schakelen) moet in de vaste bedrading worden opgenomen in overeenstemming met de bedradingsregels.



- 5)  Gooi elektrische apparaten niet als ongesorteerd afval weg, gebruik hiervoor de gescheiden inzamelingsfaciliteiten. Neem contact op met uw lokale overheid voor informatie over de mogelijke inzamelsystemen. Indien elektrische apparaten achtergelaten worden op stortplaatsen, kunnen gevaarlijke stoffen in het grondwater lekken en in de voedselketen terechtkomen, met gevaar voor uw gezondheid en welzijn.
- 6) De structuur waaraan de ventilator gemonteerd wordt, moet geschikt zijn voor een gewicht van 40 kg.
- 7) De ventilator moet zo worden gemonteerd dat de ventilatorbladen zich minstens **2,3** meter boven de grond bevinden (voor Europa).
- 8) De ventilator moet zo worden gemonteerd dat de ventilatorbladen zich minstens **2,1** meter boven de grond bevinden (voor Australië).
- 9) Deze ventilator is enkel geschikt voor gebruik binnenshuis. Montage van de ventilator in een situatie waarin deze in contact kan komen met water of vocht is gevaarlijk.
- 10) Installatie mag enkel gebeuren door een erkend installateur.



VOOR DE INSTALLATIE

Pak de ventilator uit en controleer de inhoud. U moet de volgende onderdelen hebben:

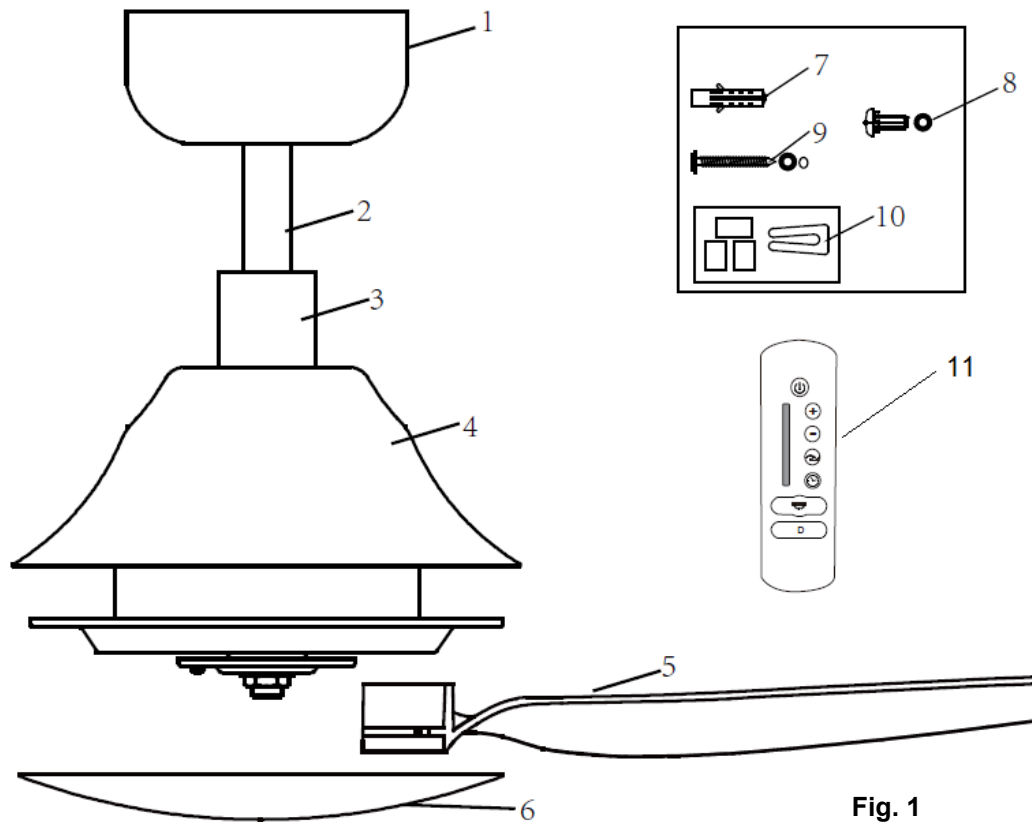


Fig. 1

- 1 Overkapping x 1
- 2 Neerwaartse staaf
- 3 Aansluitend deksel x 1
- 4 Montage motor x 1
- 5 Bladen x 3
- 6 Dekplaat beneden x 1
- 7 Plastic bevestigingsbouten x 2
- 8 Bladschroeven x 10
- 9 Houten schroeven x 2
- 10 Balanskit x 1 set
- 11 Afstandskit x 1 set



INSTALLATIE VAN DE VENTILATOR

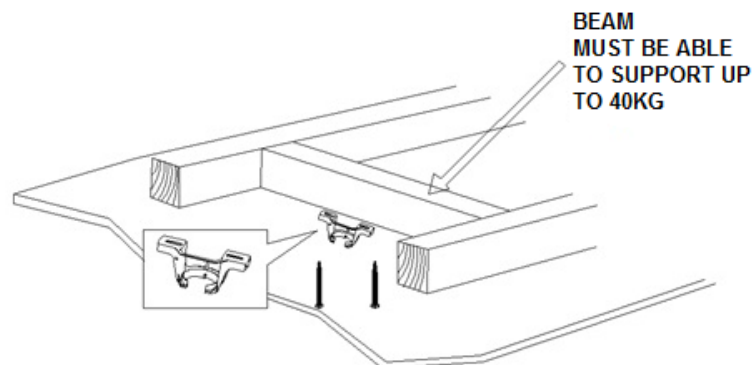
BENODIGD GEREEDSCHAP:

- Phillips / platte schroevendraaier
- Tang
- Verstelbare sleutel
- Ladder
- Kniptang
- Bedrading, voedingskabel zoals vereist door de lokale provinciale en nationale bedradingscodes en -regels.

INSTALLATIE VAN DE MONTAGEBEUGEL

De plafondventilator moet zo geïnstalleerd worden dat de top van de ventilatorbladen 300mm verwijderd is van het dichtsbijzijnde object of muur.

Bevestig de montagebeugel met de twee voorziene lange schroeven, aan een plafondbalk of een structuur die in staat is een last van 40kg te dragen. Zorg ervoor dat tenminste 30mm van de schroefdraad in de ondersteuning verdwijnt.



NOTE: THIS PICTURE IS FOR REPRESENTATION ONLY AND DOES NOT REPRESENT THE ACTUAL BRACKET.

Fig. 2

OPMERKING: De bijgeleverde beugelschroeven zijn enkel geschikt voor houten structuren. Voor andere structuren **MOETEN** de geschikte schroeven gebruikt worden.

INSTALLATIE SCHUINE STAND

Dit plafond ophangstelsel is geschikt voor een schuine installatie tot maximaal 18 graden.

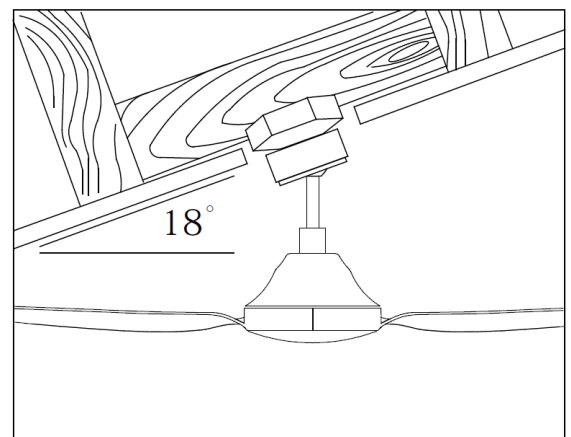


Fig. 3



OPHANGEN VAN DE MOTORUNIT

- Plaats de motorunit op de montagebeugel. Fig. 4
- Zorg ervoor dat inkeping van het kogelgewricht op de stop van de montagebeugel gepositioneerd is, om te voorkomen dat de ventilator begint te draaien. Fig. 5

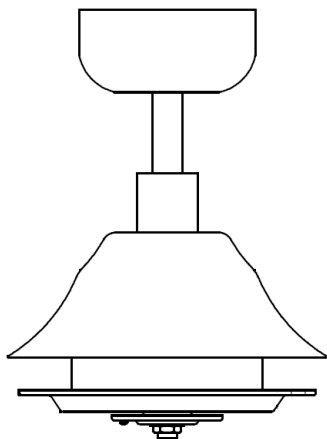


Fig. 4

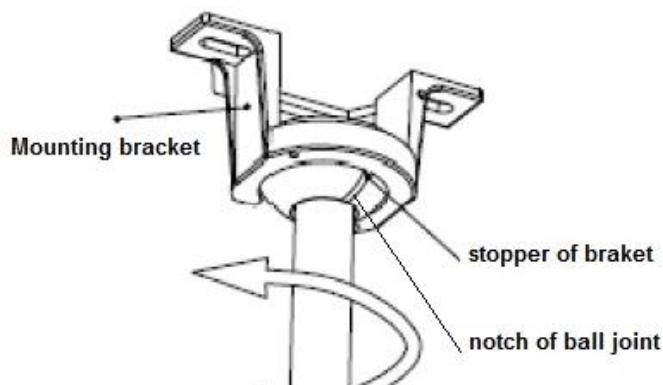


Fig. 5

VOORBEREIDING EN AFWERKING VAN DE ELEKTRISCHE BEDRADING --- BEDRADINGSSHEMA (FIG. 6)

WAARSCHUWING: VOOR UW VEILIGHEID MOETEN ALLE ELEKTRISCHE AANSLUITINGEN DOOR EEN ERKENDE ELLEKTRICIEN WORDEN UITEGEVOERD.

OPGELET: EEN EXTRA MEERPOLIGE SCHAKELAAR MOET OPGENOMEN WORDEN IN DE VASTE BEDRADING. ZORG ERVOOR DAT DE HOOFDSCHAKELAAR UITGESCHAKELD IS VOORALEER AAN TE SLUITEN.

OPMERKING: ALS ER TWEE OF MEER DC-PLAFONDVENTILATOREN GEÏNSTALLEERD ZIJN IN ÉÉN LOCATIE, IS ER EEN APARTE WERKSCHAKELAAR NODIG VOOR ELKE VENTILATOR. DIT IS NOODZAKELIJK WANNEER DE AFSTANDSBEDIENING EN DE ONTVANGER GEKOPPELD WORDEN.

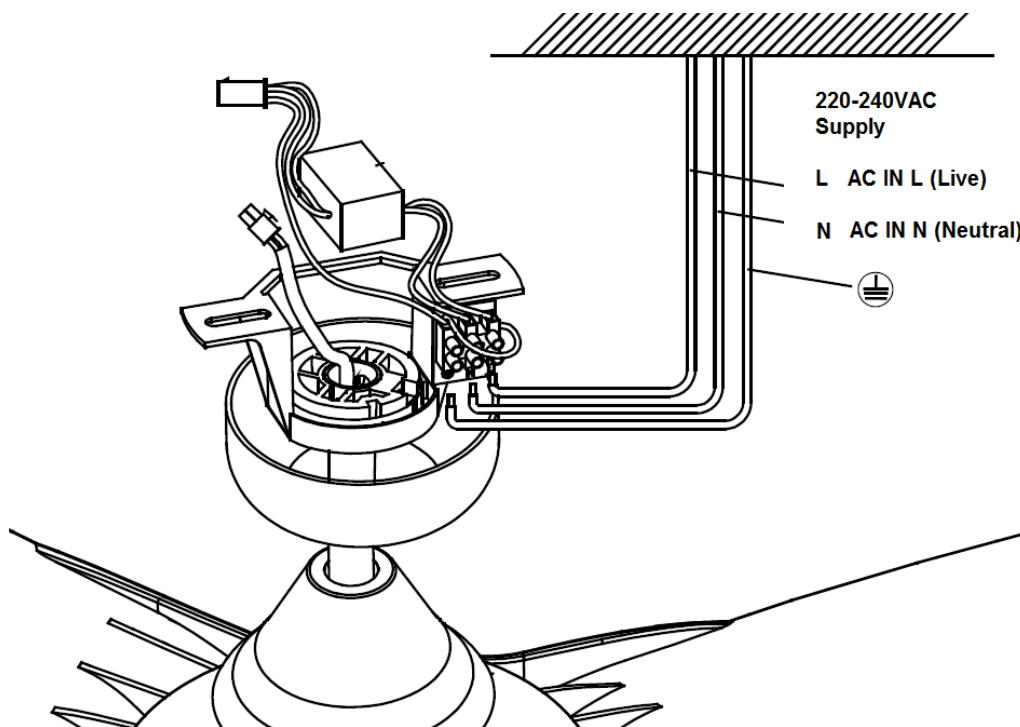


Fig. 6



INSTALLATIE VAN DE COVER VOOR DE OVERKAPPING

- Draai de 2 schroeven aan de onderkant van de montagebeugel los. Fig. 7
- Schuif de overkapping tot aan de bevestigingsbeugel en plaats het sleutelgat op de overkapping over de schroef op de montagebeugel, draai de overkapping totdat deze vastklikt op het smalle gedeelte van de sleutelgaten en draai deze vast met de twee stes schroeven. Voorkom schade aan de eerder voorbereide elektrische bedrading.

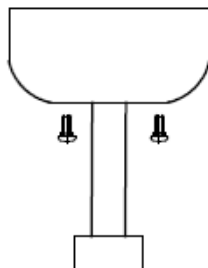


Fig. 7

INSTALLATIE VAN DE VENTILATORBLADEN

- Steek de schroeven van de ventilatorbladen door de ventilatorbladenkit en bevestig vervolgens het ventilatorblad aan de motor door de 3 schroeven vast te draaien. Fig.8
- Herhaal dit proces om de overige ventilatorbladen op de motor te installeren.
- Tot slot installeert u de cover aan de onderkant van deze licht kit behuizing door deze met de klok mee te draaien. Fig. 9

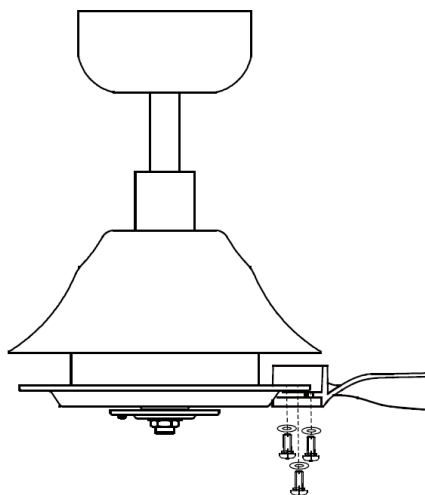


Fig. 8

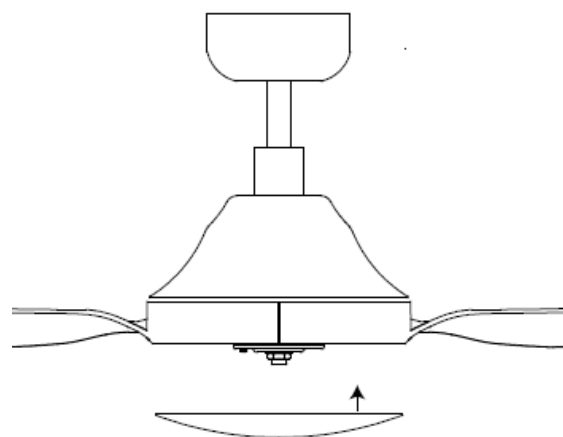


Fig. 9

GBRUIK VAN UW PLAFONDVENTILATOR

Koppelen van zender en ontvanger – als 2 of meer plafondventilators met gelijkstroom op één locatie worden geïnstalleerd

Bij het installeren van twee of meer ventilators naast elkaar, kunt u de ontvanger/zender voor elke ventilatorset een verschillende code geven, zodat de werking van één ventilator niet de werking van de andere ventilator/s stoort.

OPMERKING: Zorg dat de ontvanger **AAN** (ON) is alvorens de zender aan de ontvanger te koppelen.

Koppelen van zender/ontvanger voor plafondventilator 1:

- Zet beide plafondventilators 1 en 2 uit door de hoofdoeding van de ontvanger uit te schakelen.



Airfusion Type A Installation Instructions

- Plaats de 2 x 1.5V gelijkstroombatterijen in het compartiment. Zorg dat de polariteit van de batterij correct is.
- Schakel de voeding in naar ontvanger 1. Houd ontvanger 2 op UIT (OFF). (Elke plafondventilator moet zijn eigen isolatieschakelaar hebben, zodat alleen de plafondventilator AAN (ON) zal zijn die met de zender moet worden gekoppeld.
- Druk binnen 60 seconden na het schakelen van de voeding naar de ontvanger van plafondventilator 1, gedurende drie seconden op de "⏻" knop van **zender 1**.
- Zet de plafondventilator 1 AAN (ON) en wijzig de snelheid van plafondventilator 1 via de zender en controleer dat deze goed werkt en gekoppeld is.

Instelling van gelijkstroom (DC) voor plafondventilator 2:

- Zet beide plafondventilators 1 en 2 uit door de hoofdvoeding van de ontvanger uit te schakelen.
- Plaats de 2 x 1.5V gelijkstroombatterijen in het compartiment. Zorg dat de polariteit van de batterij correct is.
- Schakel de voeding in naar ontvanger 2. Houd ontvanger 1 op UIT (OFF). (Elke plafondventilator moet zijn eigen isolatieschakelaar hebben, zodat alleen de plafondventilator AAN (ON) zal zijn die met de zender moet worden gekoppeld.
- Druk binnen 60 seconden na het schakelen van de voeding naar de ontvanger van plafondventilator 2, gedurende drie seconden op de "⏻" knop van **zender 2**.
- Zet de plafondventilator AAN (ON) en wijzig de snelheid van plafondventilator 2 via de zender en controleer dat deze goed werkt en gekoppeld is.

Opmerking: De zender en de ontvanger moeten worden gekoppeld als er slechts één plafondventilator geïnstalleerd is. Als er meer dan twee plafondventilators zijn naast elkaar zijn geïnstalleerd, zie bovenstaande instructies.

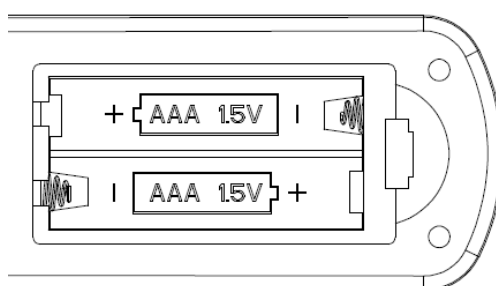


Fig. 10

Afstandsbedieningsknoppen

⏻ : VENTILATOR AAN/UIT (ON/OFF) KNOP (A):

- Druk op de knop om de ventilator aan/uit te zetten.
- Druk binnen 60 seconden na het schakelen van de voeding naar de ontvanger, gedurende 3 seconden op de



Airfusion Type A Installation Instructions


knop voor het koppelen van de zender en de ontvanger

+: KNOPPEN VOOR HET VERHOGEN VAN DE SNELHEID (B): Druk op de knop om de snelheid van de ventilator te verhogen. De LED-indicator (D) geeft nu de snelheid van de ventilator weer (1-12 snelheden).


-: KNOPPEN VOOR HET VERLAGEN VAN DE SNELHEID (C): Druk op de knop om de snelheid van de ventilator te verlagen. De LED-indicator (D) geeft nu de snelheid van de ventilator weer (1-12 snelheden).


 : LED-INDICATOR (D):


- Geeft het huidige snelheidsniveau van de ventilator weer (1-12 snelheden).
- Geeft de instellingstijd van de huidige timer weer (1 uur, 2 uur, 4 uur 8 uur).

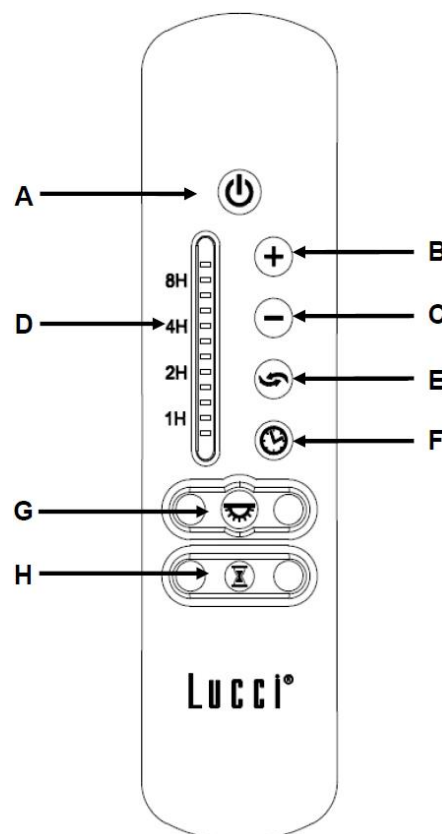
 : KNOP VOOR OMGEKEERDE FUNCTIE (E): Druk op de knop voor het activeren van de omgekeerde werking. De ventilator moet aan het werk zijn om de omgekeerde functie te kunnen activeren.

Notitie: Als de ventilator de draairichtingsverandering niet vaststellen kan stopt hij. Druk dan twee keer de "⏻" knop om de ventilator opnieuw te activeren.

 : KNOP VAN VENTILATOR TIMER (F): Druk op de knop voor het opstarten van het timerprogramma, om de ventilator automatisch uit te schakelen, of anderszins annuleer de timer. Druk op de knop om de timer in te stellen op 1h → 2h → 4h → 8h → Timer UIT (OFF). De LED-indicator (D) geeft nu de timer van de ventilator weer ((1H, 2H, 4H en 8H)

 : LICHTKNOPJE Druk op de knop om het lampje aan/uit te zetten.

 : LICHTVERTRAGINGSKNOP (H): Druk op de knop om de lichtvertragingfunctie te activeren, zodat de ventilator 3 minuten later uit gaat.



HERSTELLEN VAN DE VENTILATORONTVANGER & AFSTANDSZENDER

Als de afstands-zender en ontvanger niet meer kunnen worden bestuurd na het installeren, of tijdens het gebruik, moet de koppeling tussen de ontvanger en zender worden hersteld. Hieronder staat een beschrijving van de symptomen en de methode voor het herstellen van de koppeling tussen de afstands-zender van de gelijkstroomplafondventilator



en de ontvanger.

Problemen:

- Geen besturing - Ventilator draait alleen maar heel snel na de installatie hiervan
- Geen besturing - Geen omgekeerde functie na de installatie hiervan
- Geen besturing - Afstandszender kan niet met de ontvanger communiceren

Oplossing:

- Schakel de voeding naar de plafondventilator uit.
- Druk binnen 60 seconden na het schakelen van de voeding naar de ontvanger van de plafondventilator, gedurende 3 seconden op de "⏻" knop van de **zender**.
- Zet de plafondventilator AAN (ON) en wijzig de snelheid van de plafondventilator via de zender en controleer dat deze goed werkt en gekoppeld is.

NA INSTALLATIE

BEWEGING:

Opmerking: plafondventilatoren hebben de neiging te bewegen wanneer ze in werking zijn doordat ze op een rubberen pakkingsring gemonteerd zijn. Wanneer de ventilator vast aan het plafond zou gemonteerd zijn, zou dit overmatige trillingen veroorzaken. Beweging van enkele centimeters is aanvaardbaar en vormt geen probleem.

OM BEWEGING TE VERMINDEREN: Controleer of alle schroeven voor de montagebeugel en de neerwaartse staaf stevig bevestigd zijn.

BALANS KIT: Een balans kit wordt meegeleverd om de plafondventilator tijdens de initiële installatie in evenwicht te brengen. Lees eerst de instructies aangaande het gebruik van de balans kit. De balans kit kan gebruikt worden om het evenwicht van de plafondventilator, indien nodig, te herstellen. Bewaar de balans kit na de installatie voor later gebruik, indien nodig.

LAWAAI:

Wanneer het stil is (vooral's nachts) kunt u af en toe kleine geluiden horen. Lichte schommelingen in de spanning en frequentiesignalen bovenop de elektriciteit voor warm watercontrole in de daluren, kunnen een verandering veroorzaken in het geluid van de motor van de plafondventilator. Dit is normaal. Houd rekening met een 24-uurs "aanpassings"periode, de meeste geluiden geassocieerd met een nieuwe ventilator verdwijnen binnen deze tijd.

De fabrieksgarantie dekt feitelijke fouten die zich kunnen voordoen maar NIET kleine klachten, zoals het horen van de motor - Alle elektromotoren zijn hoorbaar tot op zekere hoogte.

ONDERHOUD & REINIGING

- Periodieke reiniging an uw plafondventilator is het enige vereiste onderhoud. Gebruik een zachte borstel of pluisvrije doek om krassen te voorkomen. Schakel de stroom uit tijdens het reinigen.
- Gebruik geen water bij het schoonmaken van de plafondventilator. Dit kan de motor en de ventilatorbladen



Airfusion Type A Installation Instructions

beschadigen en creëert de mogelijkheid op een elektrische schok.

- De motor heeft permanent gesmeerde kogellagers. Olie toevoegen is niet nodig.

OPMERKING: Schakel de stroom altijd uit vooraleer uw ventilator te reinigen.

TECHNISCHE INFORMATIE

AIRFUSION TYPE A SERIES DC ventilatormodellen	Nominale spanning	Nominaal vermogen (motor)	Batterij voor afstandsbediening
Enkel 60" ventilatorbladen	220-240VAC	35W	2 x 1.5Vdc AAA

GARANTIE-INFORMATIE

IN AUSTRALIË / NIEUW ZEELAND – Hiervoor verwijzen wij u naar de aparte GARANTIE-INFORMATIE.

IN EUROPA – Als u een Europese klant bent, kunt u, voor garantie, contact opnemen met het verkooppunt waar de ventilator werd aangekocht.

